



Quickie II "UQLXN500-SQ" Series

Quickie II – Thermoplastic LED Exit & Combination Units
 Sealed Maintenance-free Lead Calcium battery
 Damp location listing is standard on all models
 UL Listed

The Quickie II "UQLXN500-SQ" Series is our combo unit with field adjustable heads to accommodate job site mounting requirements.



We have added two new units to the UQLXN500-SQ Series

- ▣ **Combination Red LED Exit with Self Diagnostics**
- ▣ **Red LED Exit with No Heads, Remote Capacity (22 watts) and Self Diagnostics**

▣ FEATURES

Reliability

The Quickie II "UQLXN500-SQ" Series has a three-year full warranty. (excluding lamps and fuses)

Unit Data

The housing, faceplates and canopy are constructed of a durable high-impact thermoplastic material (94,5VA Flame rating) available only in mist-white. The combo is suitable for wall or ceiling mount and comes standard with two faceplates, a backplate and a snap-fit canopy that requires no hardware to secure to the unit.

The combination unit also includes two 6volt 5.4watt wedge base, glare-free emergency lighting heads can be positioned as top mount or side mount without disassembly or rewiring of the unit.

The light source of the exit sign will be LED technology, which will provide a uniform illumination on the legend. LED lamps are operated in normal (AC in put) and emergency (DC input) modes.

Emergency mode is powered by a sealed, maintenance-free Lead Calcium battery that is pre-wired to accommodate an additional battery should a remote load be required. Remote capacity exit with two heads may power additional remote heads up to 6 Volt, 12 watts. Remote capacity exit with no heads may power additional remote heads up to 6 Volt, 22 Watts.

Lamp

The combo comes standard with two fully adjustable, glare-free, 6 Volt, 5.4 Watt wedge base lamps.

Power Requirements

Universal voltage, 2-wire input 120/277Vac, 60Hz

▣ OPTIONS

(Add Suffix to Model No.)

Suffix

*Remote Capacity (12 watts 2 heads) (22 watts 0 heads).....R

**Improved diagnostics for remote capacityID

*Do not exceed rated unit capacity

**Available with Red Letters only

▣ ACCESSORIES

(Order as a separate item)

Wire Guard (heads in any position)WG10-L

Replacement Battery860.0004-L

Replacement Lamp (standard).....570.0012-L

▣ ORDERING OPTIONS

RED Stencil Face Models

GREEN Stencil Face Models

UQLXN500R-2SQ

UQLXN500G-2SQ

UQLXN500R-2SQR

UQLXN500G-2SQ-R

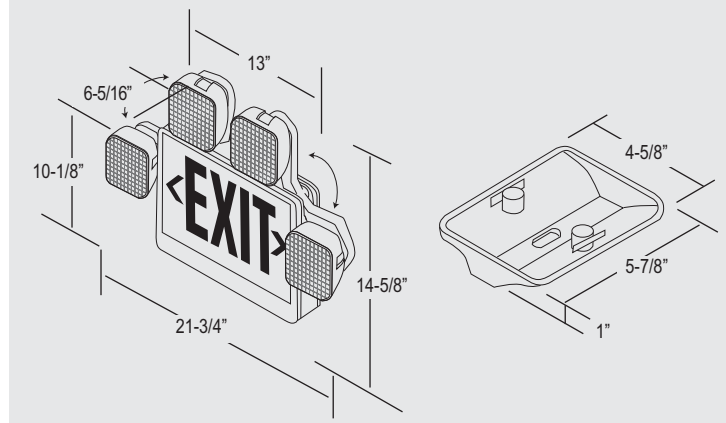
UQLXN500R-2SQR-ID

UQLXN500R-0-R-ID



▣ DIMENSIONS

Dimensions are approximate and subject to change.
 Units with no heads: 10-1/8" x 13"



▣ UQLXN500-SQ Models with Improved-Diagnostic

Improved-Diagnostic / Self-Test circuitry is available optionally on red LED self-powered models only. This circuitry is programmed to ensure the equipment readiness and reliability by continuously monitoring every critical function of the unit. If a problem occurs, the bi-color pilot light of the unit will change color from solid green to a flashing red light, indicating a fault. A detailed diagnostic legend is available near the pilot light provides fault identification for the maintenance personnel: battery disconnect, battery failure, charger failure, transformer failure, lamp failure, remote lamp failure, LED strip failure (Exit signs only). The self-test feature will simulate a power loss for one minute every 30 days, 30 minutes on the 6th month, and 90 minutes on the 12th month of the year after installation.

▣ ORDERING FORMAT

UQLXN500	R	2SQ	R	-ID
Series	Stencil Face	Light Heads	Capacity Indicator	Options
UQLXN500=	R= Red G= Green	-0* = combo no heads -2SQ = Lamps standard 6V 5.4W	Blank=No remote capacity R= remote capacity	-ID*= Improved diagnostics for remote capacity

*only available with Remote Capacity ID and red stencil