



SERIES X4 LED

TYPE: _____
 CATALOGUE #: _____
 NOTES: _____



Steel LED Exit Signs AC Only, Self-Powered and Combination Units

*Listed to UL 924 Standard
 Self Powered LED models
 feature a Nickel-Cadmium
 battery and are self contained.
 All circuitry and batteries are
 contained inside the same exit
 housing as the AC Signs.*

Features

- Rugged 20 gauge steel housing with programmable directional chevrons.
- Universal exit signs are supplied with canopy kit and extra stencil and diffuser to permit any mounting either as single or double face.
- Listed to UL Standard 924, Life Safety Code and OSHA.

Accessories

(order as separate item)	Model
Black Pendant Mount Kit (specify length)	PB-*
White Pendant Mount Kit (specify length)	PW-*

Emergency Model

- Sealed maintenance-free Lead Calcium battery. (Nickel Cadmium Battery available, specify "EN" for model NICAD PowerPack or "N" for NICAD self-contained)
 - Self Powered LED models feature a Nickel-Cadmium battery and are self contained. All circuitry and batteries are contained inside the exit housing.
 - Batteries provide 90 minutes of emergency operation.
 - Dual voltage (120/277)
- Available as emergency combination unit with choice of large or mini heads.

Charger

- Fully automatic, temperature compensated pulse type charger
- Low voltage battery disconnect
- Brownout protection
- Test switch and LED indicator lights

LED Benefits

- Low Energy Consumption**
 AC-Only, AC/DC and Self-Powered Signs consume less than 3 watts per sign, single or double face.
- Visual Performance**
 High brightness red or green LED's provide smooth, even illumination across the entire exit legend, for both single and double face signs. Illumination is 100% in both AC and emergency DC operation. A color rich diffuser mounted in front of the LEDs provide a full 3/4" stroke with even illumination... *without hot spots.*
- No Maintenance Cost**
 X4 LED Series signs require no maintenance. LED expected lamp life is in excess of 20 years.
- Reliability**
 X4 LED Series signs are unaffected by the vibrations, ambient temperature swings and typical power surges detrimental to standard exit light sources.

Unit Rating Chart *(Combination Unit)*

Battery Type	DC Voltage	Model Number	*Watts to 87-1/2% of Rated Battery Voltage			
			1-1/2 Hrs.	2 Hrs.	3 Hrs.	4 Hrs.
Lead-Calcium	6	X4E	30	20	14	10
Nickel-Cadmium	6	X4EN	24	18	12	9

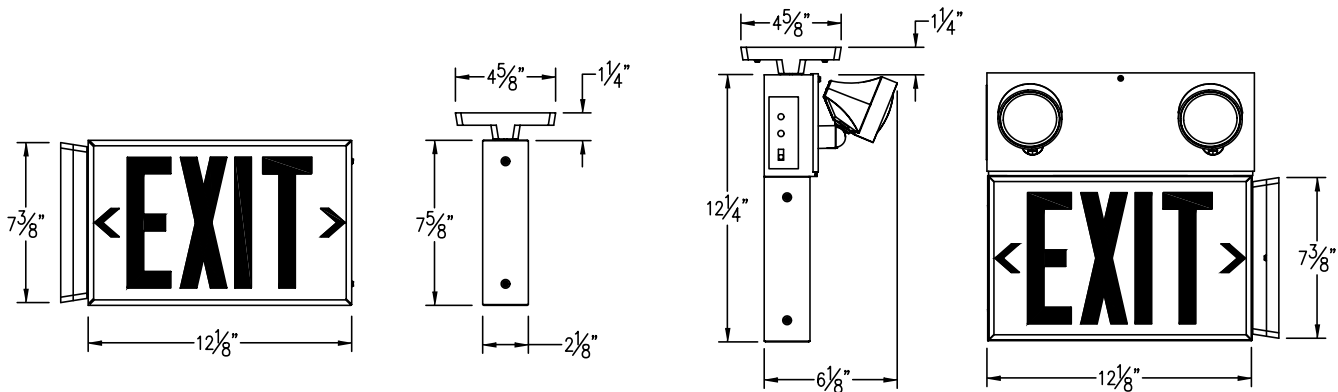
*National Electrical Code Specification

Ordering Information AC Only, Self-Powered

Example: UX4EWRWLED

Style	Model	Type	Color	Letter Color	Stencil	Light	Combo Unit	Options
Blank= single face no canopy U= universal 2 faces & canopy	X4 Series	Blank= AC only	W= white B= black	R= red G= green	W= white B= black A= aluminum	Blank= incandescent LED= LED	/0= 0 heads power use for remotes fixtures /1L= 1 large head emergency light /1M= 1 mini head emergency light /2L= 2 large heads emergency light /2M= 2 mini heads emergency light	-DC= 6-24V DC (voltage) -2= dual circuit -FAF= fire alarm flasher (incand. only) -FB= flasher/buzzer* -Y= special wording *only available with combo units.
		E= self-powered lead calcium with power pack						
		EN= self-powered NICAD, with power pack						
		N= self-powered (self contained NICAD) (exit only)						

Specifications For Series X4 LED



GENERAL: The contractor shall furnish and install Lightalarms Series UX4 (AC-Only or AC/DC), or the UX4N (self-powered, Nickel-Cadmium) self-contained exit sign. Remote capacity is available in the UX4E and UX4EN LED series when any head configuration is specified in the model number (e.g. UX4EBRALED/0). The UX4 AC-only LED signs shall be provided with a 120/277Vac, 60Hz standard input. All self-powered models shall be 120/277Vac, 60Hz standard.

CONSTRUCTION: The exit sign shall be constructed of 20 gauge steel with a tough epoxy powder finish. Concealed knockouts for universal mounting. Sign shall be available with stencil diffuser face having stenciled letters, field selectable universal chevron knockouts. Letters shall be 6" high with 3/4" stroke. Self powered and combination units shall have a 20 gauge steel constructed power pack.

EXIT LAMPS: LED - Long-life, high intensity, low power consumption LED's shall be provided for illumination of the exit legend in the normal and emergency modes.

LAMPS HEADS: Emergency illumination can be provided by two PAR 18 size lamp assemblies or two PAR 36 size lamp assemblies, molded of high impact thermoplastic material. Heads are mounted directly to front of power pack, or can be remotely mounted. Unit can power up to three 5.4W mounted and/or remote lamp heads.

BATTERY: Series UX4E self-powered and UX4E Combo Units shall be provided with a 6V sealed, maintenance-free Lead Calcium battery housed in the power pack. Series UX4EN combo units shall be provided with a 6V sealed, housed in the power pack. Series UX4N shall be provided with a sealed, maintenance-free Nickel-Cadmium battery assembly contained within the exit housing.

TRANSFER RELAY: A sealed, dust-tight transfer relay shall automatically and instantaneously transfer the exit and emergency lamp loads to the battery upon failure of the AC supply. When the AC supply is restored, the relay changes states again, restoring the battery to the charging circuit and allowing the exit lamp source to be driving from the AC supply.

CHARGER ASSEMBLY: An automatic, temperature compensated pulse type charger shall be provided. The charger shall be solid state and capable of recharging the battery in accordance with UL 924. A Low voltage disconnect shall be used to disconnect the emergency loads from the battery when the battery voltage reached approximately 85% of nominal to prevent damage to the battery. The circuit shall also utilize a brownout detection circuit to transfer the unit to the emergency mode when the AC supply line dips below 80-85% of its nominal rating.

WARRANTY*:The X4 LED Series exit Sign and combination unit shall carry a full 3-year warranty (excluding lamps).

BATTERIES: The sealed, maintenance-free, Lead Calcium batteries shall carry a full 3-year warranty plus 3-years pro-rata. Sealed Nickel-Cadmium shall carry a full 5-years and 5-years pro-rata.

*Subject to proper installation and maintenance.

U.L. Listed to Standard 924. Complies with NEC, Life Safety Code and OSHA requirements.

MANUFACTURER:

Unit shall be **Lightalarms** model _____

