



SERIES X4

TYPE: _____
 CATALOGUE #: _____
 NOTES: _____



Steel Incandescent Exit Signs AC Only, Self-Powered and Combination Units

Listed to UL 924 Standard
 Sealed Maintenance-Free batteries

- Nickel Cadmium
- Lead Calcium



Features

- All AC-Only exit signs, are U.L. Listed for use in damp locations.
- Rugged 20 gauge steel housing with programmable directional chevrons.
- Universal exit signs are supplied with canopy kit and extra stencil and diffuser to permit any mounting either as single or double face.
- Listed to UL Standard 924, Life Safety Code and OSHA.

Emergency Model Charger

- Sealed maintenance-free Lead Calcium battery. (Nickel Cadmium Battery available, specify "EN".)
- Batteries provide 90 minutes of emergency operation.
- Dual voltage 120/277Vac (self-powered models)
- Fully automatic, temperature compensated pulse type charger
- Low voltage battery disconnect
- Brownout protection
- Test switch and LED indicator lights

Available as emergency combination unit with choice of large or mini heads.

Lamp

- Supplied with (2) 15T6 145V extended life incandescent lamps. (15 watts each)

Accessories

(order as separate item)

277 Volt Conversion Kit-Black	Model CTXB-277
277 Volt Conversion Kit-White	CTXW-277
Black Pendant Mount Kit (specify length)	PB-*
White Pendant Mount Kit (specify length)	PW-*

Ordering Information AC Only, Self-Powered

Example: UX4EWRW/2M

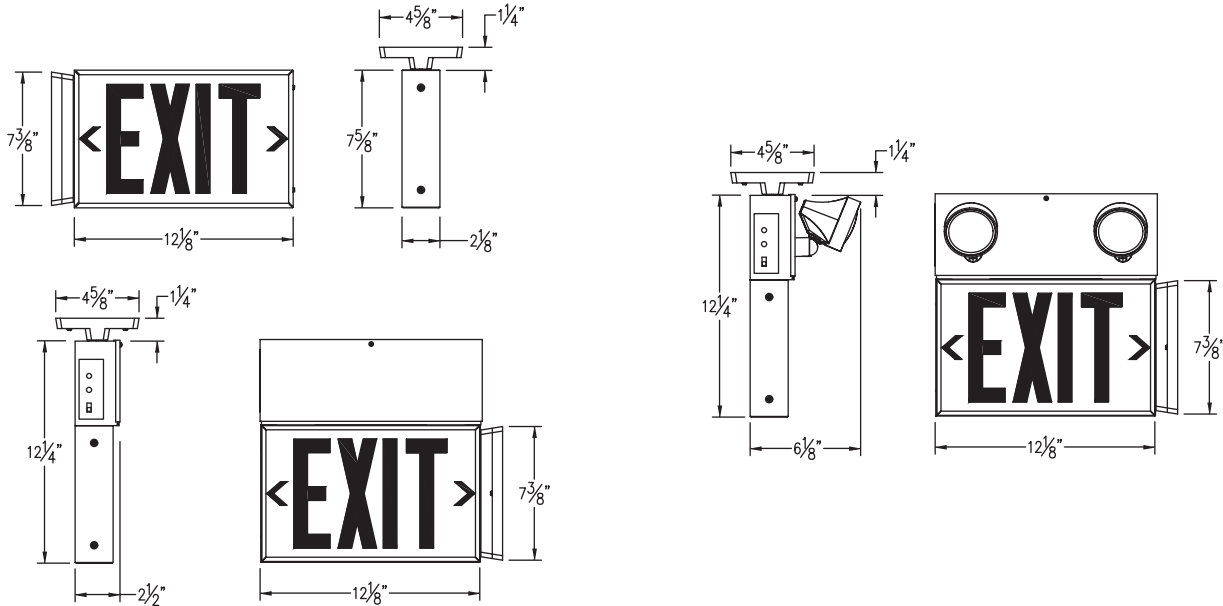
Style	Model	Type	Color	Letter Color	Stencil	Voltage (AC Only)	Combo Unit	Options
Blank= single face no canopy U= universal 2 faces & canopy	X4 Series	Blank= AC only	W= white	R= red	W= white	Blank= 120 Volt	/0= 0 heads power use for remotes fixtures /1L= 1 large head emergency light /1M= 1 mini head emergency light /2L= 2 large heads emergency light /2M= 2 mini heads emergency light	-K6= 6V DC
		E= self-powered lead calcium with power pack	B= black	G= green	B= black	-277= 277 Volt		-K12= 12V DC
		EN= self-powered NICAD, with power pack			A= aluminum			-K24= 24V DC
		N= self-powered (self contained NICAD) (exit only)						(Voltage) -2= dual circuit -Y= special wording

Unit Rating Chart (Combination Unit)

Battery Type	DC Voltage	Model Number	*Watts to 87-1/2% of Rated Battery Voltage			
			1-1/2 Hrs.	2 Hrs.	3 Hrs.	4 Hrs.
Lead-Calcium	6	X4E	22	22	9	6
Nickel-Cadmium	6	X4EN	16	16	6	-

*National Electrical Code Specification

Specifications For Series X4



GENERAL: The contractor shall furnish and install Lightalarms Series UX4 (AC-Only or AC/DC), exit sign UX4E (Self Powered, Lead Calcium and no remote capacity) exit sign with power pack, UX4EN (self-powered, Nickel-Cadmium, and no remote capacity) exit sign with power pack. Remote capacity is available in the UX4E series when any head configuration is specified in the model number. The UX4 AC-only incandescent signs shall be provided with a 120 Vac, 60Hz standard input or as specified. All self-powered models shall be 120/277Vac, 60Hz standard.

CONSTRUCTION: The exit sign shall be constructed of 20 gauge steel with an exit epoxy powder finish. Concealed knockouts for universal mounting and an aperture at the bottom for downlight shall be provided. Sign shall be available with stencil diffuser face having stenciled letters, field selectable universal chevron knockouts. Letters shall be 6" high with 3/4" stroke. Self powered and combination units shall have a 20 gauge steel constructed power pack.

EXIT LAMPS: Incandescent - Two 15T6 extended life incandescent lamps shall be provided for normal illumination. Three 6V, 3W, wedge base incandescent lamps shall be provided to illuminate the sign in the emergency mode.

LAMPS HEADS: Emergency illumination can be provided by two PAR 18 size lamp assemblies or two PAR 36 size lamp assemblies, molded of high impact thermoplastic material. Heads are mounted directly to front of power pack, or can be remotely mounted. Unit can power up to three 5.4W mounted and/or remote lamp heads.

BATTERY: Series UX4E self-powered and UX4E Combo Units shall be provided with a 6V sealed, maintenance-free Lead Calcium battery housed in the power pack. Series UX4EN self-powered and UX4EN combo units shall be provided with a 6V sealed maintenance-free Nickel-Cadmium battery assembly.

TRANSFER RELAY: A sealed, dust-tight transfer relay shall automatically and instantaneously transfer the exit and emergency lamp loads to the battery upon failure of the AC supply. When the AC supply is restored, the relay changes states again, restoring the battery to the charging circuit and allowing the exit lamp source to be driving from the AC supply.

CHARGER ASSEMBLY: An automatic, temperature compensated pulse type charger shall be provided. The charger shall be solid state and capable of recharging the battery in accordance with UL 924. A Low voltage disconnect shall be used to disconnect the emergency loads from the battery when the battery voltage reached approximately 85% of nominal to prevent damage to the battery. The circuit shall also utilize a brownout detection circuit to transfer the unit to the emergency mode when the AC supply line dips below 80-85% of its nominal rating.

WARRANTY*:The X4 Series exit Sign and combination unit shall carry a full 3-year warranty (excluding lamps).

BATTERIES: The sealed, maintenance-free, Lead Calcium batteries shall carry a full 3-year warranty plus 3-years pro-rata. Sealed Nickel-Cadmium shall carry a full 5-years and 5-years pro-rata.

* Subject to proper installation and maintenance.

U.L. Listed to Standard 924. Complies with NEC, Life Safety Code and OSHA requirements.

MANUFACTURER:

Unit shall be **Lightalarms** model _____

