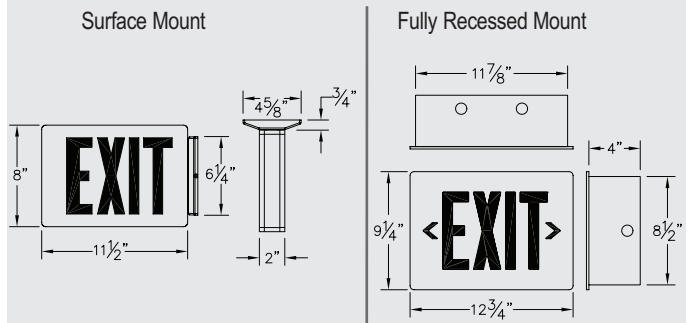


Galaxy XLD, XLED Series



DIMENSIONS

Dimensions are approximate and subject to change.



UNIT SELECTION CHART

Series		Housing Colors		Letter/Stencil Colors		Standard Series Designator
Description	Symbol	Description	Symbol	Description	Symbol	
AC only						
Single Face	XLD	Black	B	Red/Black	RB	N
		White	W	Green/Black	GB	
				Red/White	RW	
Double Face	2XLD	Brushed Aluminum	A	Green/White	GW	
				Red/Brushed Aluminum	RA	
				Green/Brushed Aluminum	GA	
SELF-POWERED						
Single Face	XLED	Black	B	Red/Black	RB	N
		White	W	Green/Black	GB	
				Red/White	RW	
Double Face	2XLED	Brushed Aluminum	A	Green/White	GW	
				Red/Brushed Aluminum	RA	
				Green/Brushed Aluminum	GA	

POWER CONSUMPTION CHART

Model (6")	AC Specs		DC Specs	
AC-only	120 to 277Vac	1.4W	-	-
AC/DC	120 to 277Vac	1.4W	6 to 24Vdc	Less than 1.5 W
Self-powered	120 to 277Vac	1.7W	NiCad battery	Min. 90 minutes

ORDERING FORMAT

Series	Housing Color	Letter Color	Stencil Color	Option	Standard Series Designator
(Double Face Self-Powered Exit)	(Brushed Aluminum)	(Red)	(Brushed Aluminum)	(Vandal Resistant Screws)	(see note)

* The "-N" Designator features self-powered units with improved diagnostic and AC units with DC-remote input (6-24Vdc)

LED Die-Cast Aluminum Exit

Universal Mount

AC, AC/DC or Self-Powered Exit Signs

UL Listed

The Galaxy "XLD, XLED" Series exit signs save energy while providing excellent visual performance. This series offers universal mounting capabilities as well as long lasting LED performance.

FEATURES

Reliability

The Galaxy "XLD, XLED" Series has a five-year full warranty.

Unit Data

The Galaxy "XLD, XLED" Series housing is constructed of die-cast Aluminum and features invisible, universal chevron and mounting knockouts. All self-powered models are self contained, all circuitry and batteries are contained inside the exit. All AC-Only signs come wired as AC/DC signs which operate off a remote DC power source when AC power fails. Long-life, high-performance, low power consumption, provide an even illumination in normal and emergency modes. A low profile mounting canopy is included with all exit signs for universal top, end or back mount.

Choice of Models

AC-Only Models: 120 through 277Vac, 50/60Hz universal input. Includes a slimline canopy for top and end mounting.

AC/DC Models: 120 through 277Vac, 50/60Hz universal input with a 6 to 24Vdc wire harness. Includes a slimline canopy for top and end mounting.

Self-Powered Models are Self Contained, batteries and circuitry are located inside the exit housing: 120 through 277Vac, 50/60Hz universal input. Sealed maintenance free Nickel-Cadmium battery provides 90 minutes of emergency illumination. Includes a slimline canopy for top and end mounting.

DIAGNOSTIC/SELF-TEST FEATURE (STANDARD)

Diagnostic / Self Test circuitry is standard on all self-powered models. This circuitry is programmed to ensure the exits readiness and reliability by continuously monitoring every critical function of the unit. If a problem occurs, a single service required indicator illuminates immediately. A detailed diagnostic display is located on the inside of the exit sign, out of sight from the general public. The detailed diagnostic display inside the exit sign will further indicate the nature of the fault. The self test will test the unit for minimum 30 seconds every 30 days, 30 minutes every 60 days and 90 minutes annually.

OPTIONS

(Add Prefix to Model No.)	Prefix
Fully Recessed.....	R
(Add Suffix to Model No.)	Suffix
Dual circuit (AC only)	-2
Vandal Resistant Screws	-VR
Lexan Face Shield with Vandal Resistant Screws.....	-LVR
Fire Alarm Activated Flasher*	-FAF
Buzzer and Flasher*	-FB
Damp Location	-DL
Open Face / Special Wording	-Y

Custom Colors and Finishes are available upon request.

*Not available with AC/DC

ACCESSORIES