



SERIES GXEM, FP-GXLD & FP-GXLDM

TYPE: _____
 CATALOGUE #: _____
 NOTES: _____



Genesis Floor Proximity LED Exit Sign Die Cast Aluminum Surface or Recessed Mount AC or Self-Powered Master

Listed to UL924 standard.



Features

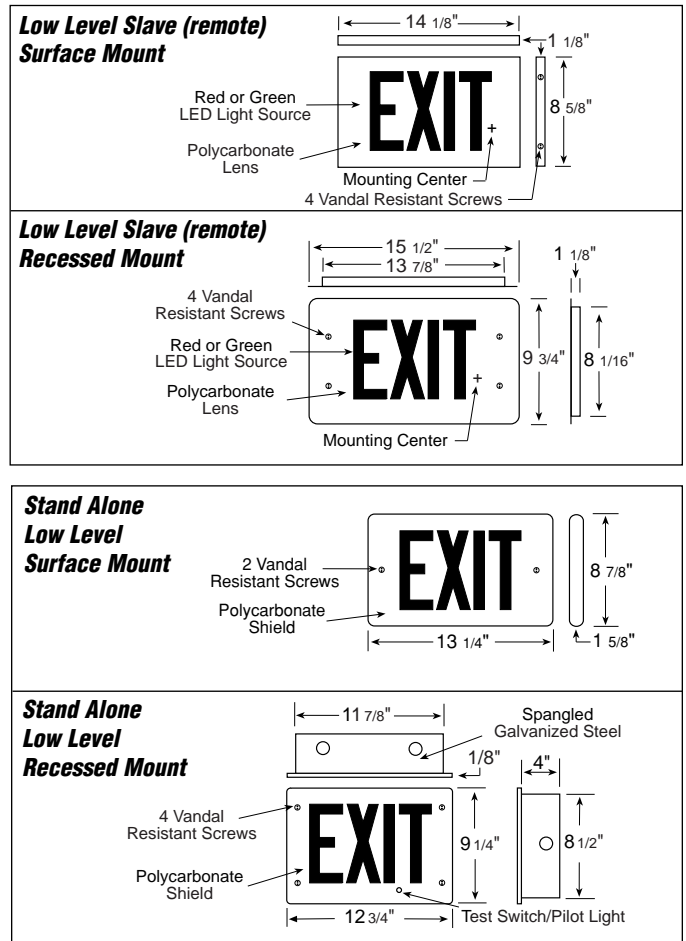
- Floor proximity exit signs are designed to meet codes for low level exits placed 6" to 8" above the floor and within 4" of the exit door frame, in addition to the exit sign above the door.
- Uses LED technology that provides cool operation and even illumination without hot spots and shadows.
- The floor proximity sign is available as slimline surface mount or recessed. All connecting hardware included. (conduit and wiring supplied by others).
- Tamperproof screws and clear, high impact polycarbonate shield makes sign vandal resistant.

Master units are constructed of die cast aluminum. Floor proximity units housing and stencil face, finished in white or black, is rugged steel. If the floor proximity unit has a brushed aluminum finish, the stencil face is aluminum.

Operation

- The Floor Proximity signs are wired to a single face Genesis LED "master" exit mounted above the door. Floor Proximity unit can be mounted up to 10 feet away from master sign. This "master" sign will power and control both signs in the AC and emergency mode. (both signs are 120/277 volt for master/floor proximity operation).

Outline and Dimensions



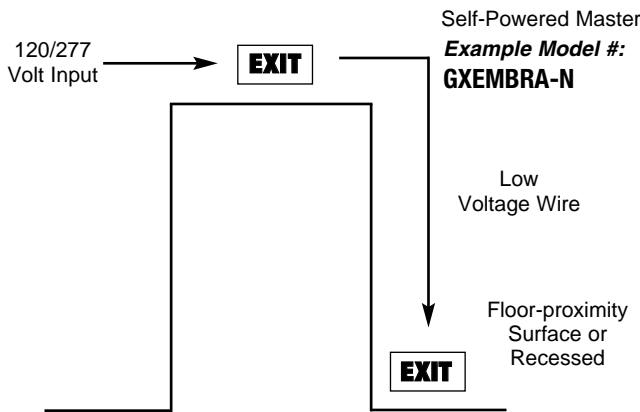
Power Consumption Chart

	Models	AC Specs	DC Specs
RED	AC-only	120/277Vac	1.2W
	AC-2 Circuit	120/277 and 277/277Vac	2.6W
	Self-Powered	120/277Vac	3.8W
GREEN	AC-only	120/277Vac	0.9W
	AC-2 Circuit	120/277 and 277/277Vac	3.3W
	Self-Powered	120/277Vac	5W
			NiCad battery

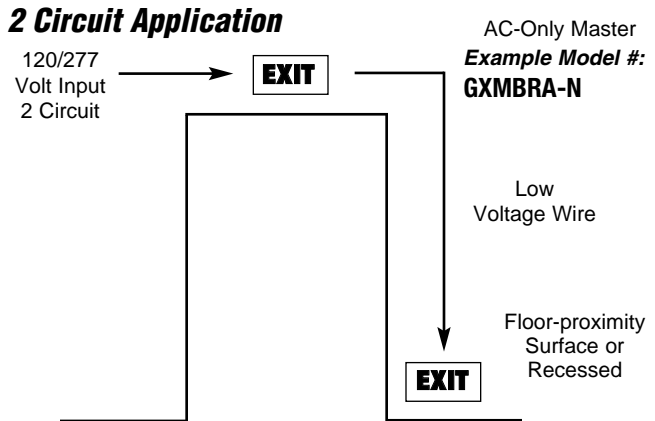
Specifications For Series GXEM, FP-GXLD & FP-GXLDM

How To Order Typical Applications

Self-Powered Master with Floor-proximity Unit



AC-Only Master with Floor-proximity Unit 2 Circuit Application



Ordering Information Example: BFPGXLDRS

Self-Powered Master (Unit for above door)

Series	Housing Color	Letter Color	Door Color	Standard Series Designator
	B= black	R= red	B= black	
	W= white	G= green	W= white	
	A= brushed aluminum		A= brushed aluminum	

Floor-Proximity Unit (Unit for above door)

Housing Color	Series	Letter Colors	Mounting	Option
B= black		R= red	R= recessed	
W= white		G= green	S= surface	
A= brushed aluminum				

Ordering Information Example: BFP-GXLDRS

AC-Only Master (Unit for above door)

Series	Housing Color	Letter Color	Door Color	Standard Series Designator
	B= black	R= red	B= black	
	W= white	G= green	W= white	
	A= brushed aluminum		A= brushed aluminum	

Floor-Proximity Unit (Unit on side of door)

Housing Color	Series	Letter Colors	Mounting	Options
B= black		R= red	R= recessed	
W= white		G= green	S= surface	
A= brushed aluminum				

The following electronics specifications refer to self-powered Master LED (Series GXEM) signs only.

GENERAL: Battery and all integrated circuitry shall be mounted completely within the exit frame. In the event of a power failure, the exit sign will be illuminated for a minimum of 90 minutes.

CHARGER: An automatic, solid state charger shall be provided.

BATTERY: shall be furnished with a maintenance-free sealed Nickel-Cadmium battery.

CONTROLS: Charger monitor LED shall be provided to indicate battery is on charge. Momentary test switch shall be provided to allow for periodic testing of the entire system.

WARRANTY*:

Units: Exit signs (less batteries and lamps) shall carry a 5 year full warranty.

Batteries: The sealed Nickel-Cadmium battery shall carry a 5 year full warranty, plus 5 years pro-rata.

Lamps: LEDs shall carry a 5 year full warranty.

*Subject to proper installation and maintenance

CSA NRTL listed to UL Standard 924. Complies with NEC, Life Safety Code and OSHA requirements.

The following specifications refer to floor-proximity Series FP-GXLDM (DC remote) and FP-GXLD (AC only) LED exit signs.

GENERAL: LED Even illumination Die-Cast Aluminum Exit Signs shall be Lightalarms Genesis Series FP-GXLDM (DC remote or Series FP-GXLD (AC only). Signs shall be manufactured in accordance with UL924 requirements and be installed to conform to the National Electrical Code®. Input power shall be 120/277 dual voltage for the AC-only model.

CONSTRUCTION: Floor proximity units housing and stencil face, finished in white or black, is rugged steel. If the floor proximity unit has a brushed aluminum finish, the stencil face is die cast aluminum. Master units shall have a stencil face with field selectable universal chevron knockouts. Letters shall be 6" high with a 3/4" stroke.

LAMP: The sign shall be provided with an ultra long life, high intensity LED light source mounted totally within the exit housing. Red LED technology shall be ALINGAP. A color enhanced special diffuser shall be mounted in front of the LEDs to provide a full, even illumination 3/4" letter stroke.

MANUFACTURER:

Unit Shall be Lightalarms Model _____ .



Thomas & Betts