

# Genesis GX, GXE Series

Die-Cast Aluminum LED Exit Sign  
 AC, AC/DC or Self-Powered Models  
 Evaluated to UL 924 Standard

The Genesis "GX, GXE" Series LED Exit sign combines visual appeal, durability and energy efficiency in a compact, contemporary design. Self-Diagnostics standard on self powered models.

## FEATURES

### Reliability

The Genesis GX, GXE Series has a five-year full warranty.

### Unit Data

The Genesis Series constructed of precision die-cast aluminum housing, features invisible, universal chevrons and mounting knockouts. A low profile mounting canopy is included with all exit signs for universal top, end or back mount. High intensity LED's with diffuser disperse light and enhance brightness for a full, even illumination. LED's draw less than 2 watts of electricity for either single or double face signs. Long life, maintenance-free, sealed Nickel-Cadmium battery. AC-only signs come wired as AC/DC signs, which operate off a remote DC power source when AC power fails. DC input is a 2-wire, 6-48Vdc universal input. Self-Powered models are self contained, all circuitry and batteries are contained inside the exit housing.

### Circuitry

Fully integrated circuitry includes a 2-wire 120-277Vac AC voltage input regulator, as well as an automatic, constant-current battery charger with solid-state transfer and AC-LED monitor and test switch.

### DIAGNOSTIC/SELF-TEST FEATURE (STANDARD)

Diagnostic / Self Test circuitry is standard on all self-powered models. This circuitry is programmed to ensure the exits readiness and reliability by continuously monitoring every critical function of the unit. If a problem occurs, a single service required indicator illuminates immediately. A detailed diagnostic display is located on the inside of the exit sign, out of sight from the general public. The detailed diagnostic display inside the exit sign will further indicate the nature of the fault. The self test will test the unit for a minimum 30 seconds every 30 days, 30 minutes every 60 days and 90 minutes annually.

### OPTIONS

<b>(Add Prefix to Model No.)</b>	<b>Prefix</b>
8" EXIT legend for NYC code.....	8
<b>(Add Suffix to Model No.)</b>	<b>Suffix</b>
Dual Circuit (AC only) .....	-2
Open Face / Special Wording .....	-Y
Vandal Resistant Screws .....	-VR
Lexan Face Shield with Vandal Resistant Screws.....	-LVR
Fire Alarm Flasher (Self-powered signs only) .....	-FAF
Flasher/Buzzer (Self-powered signs only) .....	-FB
Damp location listing .....	-DL
<i>Custom Color and Finishes available upon request.</i>	
NEXUS® wired.....	NEX

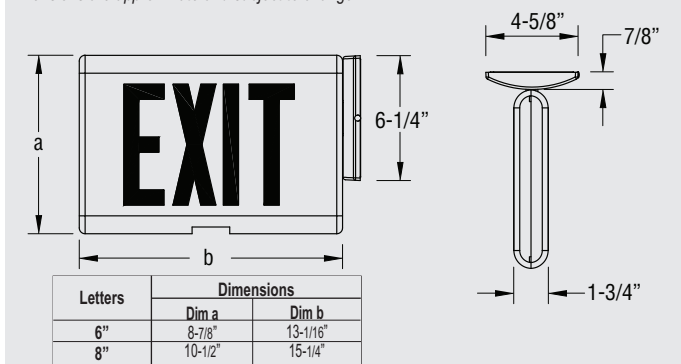
### ORDERING FORMAT

2	GXE	B	R	A	-VR	-N
<b>Letter Size</b>	<b>Series</b>	<b>Housing Color</b>	<b>Letter Color</b>	<b>Face Color</b>	<b>Options</b>	<b>Standard Series Designator</b>
Blank= 6" Letters	GX= AC-only	B= Black	R=Red	B=Black	See Options	-N
2= 6" Letters/Double Face	GXE= Self-Powered	W= White	G=Green	W=White		
8= 8" Letters		A= Brushed Aluminum		A=Brushed Aluminum		
82= 8" Letters/Double Face		DB= Dark Bronze				
		PB=Polished Brass				



## DIMENSIONS

Dimensions are approximate and subject to change.



## POWER CONSUMPTION CHART

Model (6")	AC Specs		DC Specs	
AC-only	120 to 277Vac	1.25W	-	-
AC/DC	120 to 277Vac	1.25W	6 to 24Vdc	Less than 1.5 W
Self-powered	120 to 277Vac	1.6W	Ni-Cd battery	Min. 90 minutes

Model (8")	AC Specs		DC Specs	
AC-only	120 to 277Vac	2.5W	-	-
AC/DC	120 to 277Vac	2.5W	6 to 24Vdc	1.6W
Self-powered	120 to 277Vac	2.9W	Ni-Cd battery	Min. 90 minutes

## ACCESSORIES

(Order as a separate item)

Pendant Mount White .....	GPW-*
Pendant Mount Black .....	GPB-*
Wire Guard (Wall Mount) (6 in.) .....	WG13-L
Wire Guard (Ceiling Mount) (6 in.) .....	WG14-L
Wire Guard (End Mount) (6 in.) .....	WG15-L
Vandal Shield (Wall Mount) .....	VRC
Vandal Shield, NEMA-4X (Wall Mount).....	VRC-4X

\*Specify length of pendant (12", 24", 36", etc.)