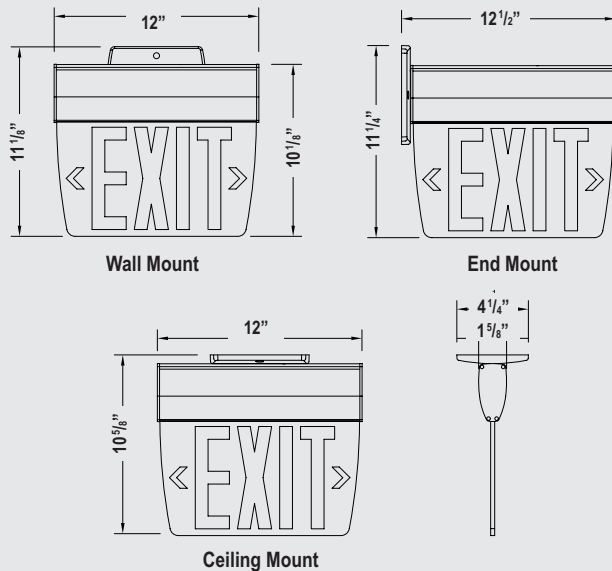


■ Simplicity Economizer Series



▣ DIMENSIONS

Dimensions are approximate and subject to change.



Slim Profile Surface Mounted

LED Edge-Lit Exit Sign

Available in Extruded Aluminum or Off-White Finishes

For Recessed Mount, please consult the factory

The Lightalarms Simplicity Economizer Series combines a slim, modular design with state of the art technology and ease of installation including field installed directional arrows. Elegant and Economical, these exit signs complement any interior design while providing mounting versatility and energy efficiency.

With the look of the Exit sign and the Simplified installation this product will be the favorite at both the Specification and Contractor level.

▣ FEATURES

- Slim-profile extruded aluminum housing
- Slim-profile die-cast aluminum canopy
- Choice of finishes: textured aluminum or off-white
- Universal surface mounting: wall, ceiling or end mount
- Click-to-open housing door allows easy access to the panel and electrical wiring
- Acrylic panel with curved contour provides superior clarity and illumination
- Legend with a choice of red or green six-inch letters, and easy to add field installed stick-on translucent directional arrows
- Choice of legend background: clear, white or mirror
- Simple, two-wire universal AC input (120V to 277Vac 60Hz) prevents installation errors
- Simple, two-wire universal DC input: 6V to 24Vdc
- Long-life LED light assures low maintenance costs and superior illumination
- Energy efficient power consumption: less than 3 Watts for selfpowered version and less than 2 Watts for AC only single or double face
- Sealed Nickel-Cadmium batteries provide 90 minutes of emergency lighting
- UL-924 listed

▣ UNIT WARRANTY*

Unit carries a 3- year full warranty

**Subject to proper installation and maintenance.*

▣ POWER CONSUMPTION CHART

Model	AC Specs		DC Specs	
	Power (W)	Power (W)	Power (W)	Power (W)
AC-only	120 to 277Vac	Less than 2 W	-	-
AC/DC	120 to 277Vac	Less than 2 W	6 to 24Vdc	Less than 1.5 W
Self-powered	120 to 277Vac	Less than 3 W	-	-

▣ ORDERING FORMAT (Surface Mount Series)

SE	TA	R	1
Series	Housing Color	Legend Color	Face
SE = AC	TA = Textured Aluminum	RC* = Red on Clear	1 = Single Face
SES = AC/DC	OW = Off White	RW = Red on White	2 = Double Face
SEN = Self-Powered		RM = Red on Mirror	
		GC* = Green on Clear	
		GM = Green on Mirror	

* Single face Only
 GW = Green on White
 Not available

NOTE: For recessed mount please contact factory