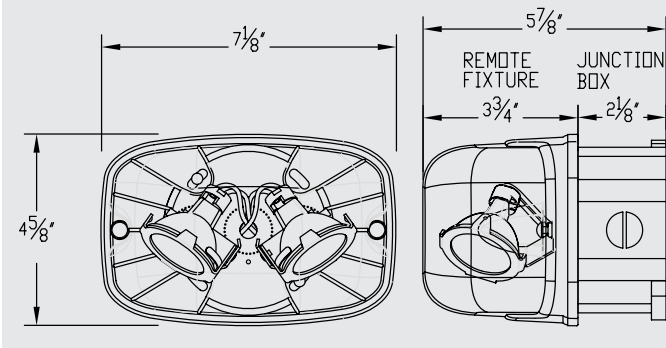


## ■ Severe ELF651 Series



### □ DIMENSIONS

Dimensions are approximate and subject to change.



### Hazardous Location Remote Fixture

#### Class I, Division 2 Compliant Remote Fixtures

The **ELF651 Series** of Remote Fixture has been designed specifically for installation in hazardous locations and other high abuse industrial environments. Weather resistant, high impacts, vibrations and variations in temperature. The **ELF651 Series** of Remote Fixtures is ideally suited for areas with the risk of presence of flammable gases, vapors or liquids able to create an explosive gas atmosphere.

### □ POWER AND TEMPERATURE RATINGS

Lamp Type	Input Voltage	Power (each of 2 lamps)	Temperature Code
MR16	6Volts	10 Watts	T3B (max. 165°C)
MR16	12, 24 Volts	12 Watts	T3B (max. 165°C)
MR16	12, 24, 120 Volts	20 Watts	T2C (max. 230°C)

Note: Use qualified replacement lamps to avoid risk of over-heating

### □ ORDERING FORMAT

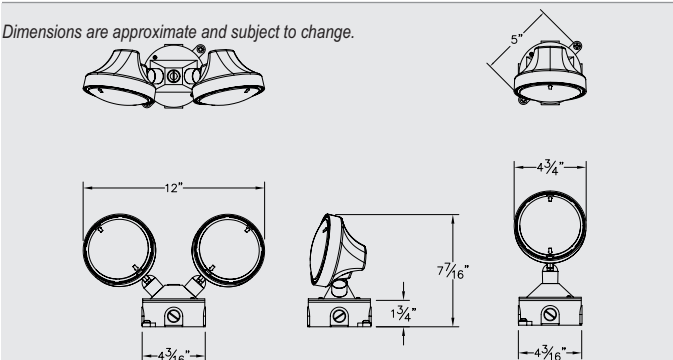
ELF651	/M10	-M	6
<b>Series</b>	<b>Lamp Type/Wattage</b>	<b>Color</b>	<b>Voltage</b>
ELF651= Single	/M10= MR16 10Watts (6V only)	-G= Gray	6= 6V
ELF651D= Double	/M12= MR16 12Watts (12V, 24V)		12= 12V
	/M20= MR16 20Watts (12V, 24V, 120V)		24= 24V
	/MH20= MR16-IR		120= 120Vac/Vdc

## ■ ELF647C Severe Series



### □ DIMENSIONS

Dimensions are approximate and subject to change.



**DESCRIPTION:** Class I Division 2, Group A, B, C and D Single lighting head with fully adjustable swivel - with gasketed aluminum canopy and junction box

**FINISH:** Black (-B), Gray (Blank)(standard)

**MOUNTING:** Standard with round plate for mounting directly to 4" outlet box

**LAMPS:**

- Wedge base incandescent
- Bi-PIN Halogen
- PAR36 sealed Beam

**VOLTS:** 6 or 12 volt

**MAXIMUM WATTS:**  
12 watts per head

### □ ORDERING FORMAT

ELF647C	/M12	-M	12
<b>Series</b>	<b>Lamp Type/Wattage</b>	<b>Color</b>	<b>Voltage</b>
ELF647C= single head	For optional lamps types and wattages refer to the lamp data chart on page(108-109).	-G= blank	6= 6V
EF647DC= double head	(Maximum Watts 12 watts per head)	-B= black	12= 12V