



EL, E12L Series

6 or 12 Volt, Class I, Division 2 Emergency Unit
 Sealed Maintenance-Free Lead Calcium battery
 UL Listed

This series of self-contained emergency lighting units are designed to meet the specific requirements of Class I, Division 2 hazardous areas, Groups A, B, C and D. Typical Applications: Manufacturing or Chemical Plants, Paint Shops, Wet or Corrosive Areas and Food Processing Areas*.
 *Shatter resistant Teflon lamp coating optional.

FEATURES

Reliability

The **EL, E12L Series** has a three-year full warranty (excluding lamps and fuses).

Unit Data

All units are housed in water and corrosion resistant cabinets constructed from glass reinforced structural foam and are fully sealed and gasketed. External electrical components, including text switch and indicator light, are explosion proof in design and exceed requirements for Class I, Division 2, Group A, B, C & D. The battery compartment is vented by a one-way breather device to permit exhaust of battery gases and relief of internal pressure without admitting external moisture or corrosives. Temperature code: T4A (max 120°C).

Lamp

Units are equipped with a choice of standard incandescent or halogen sealed beam lamps. Lamps are housed in gray, industrial thermoplastic shells with matching swivels. Lamp housings are rain-tight and corrosion resistant. Wire connections are silicone sealed.

Pulse Type Charger

- Micro-controller based, temperature compensated, pulse type charger.
- High capacity, automatic, dust-tight instantaneous transfer relay.
- Low voltage disconnect prevents over discharge of battery. Automatic brownout protection is provided.
- Labor saving AC line latch prevents battery discharge during installation to a non-energized circuit.
- Fused output circuit.

Controls

- Red AC-ON LED indicates AC power is on.
- Momentary test switch allows for quick operational check of entire system.

Power Requirements

- 120/277Vac 60Hz, 0.3/0.15 Amp
- Diagnostic feature: Red pilot light will flash in case of battery or lamp failure.

OPTIONS

(Add Suffix to Model No.) Suffix

- Time Delay (specify 5, 10 or 15 minutes)-TD_
- Thermal Jacket (120 Volt Heater)-H1
- Thermal Jacket (277 Volt Heater)-H2
- Shatter Resistant Teflon Coated Lens-FP*

ACCESSORIES

(Order as a separate item)

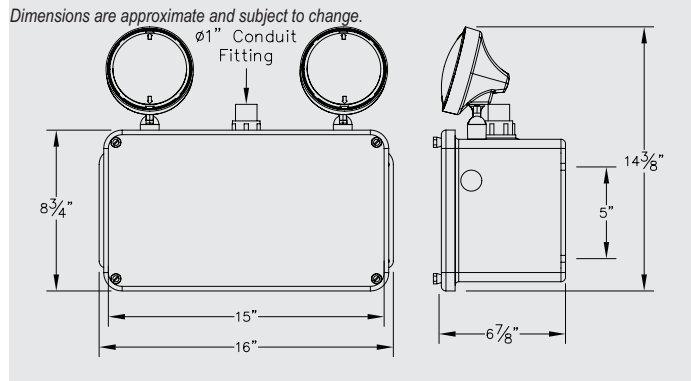
- Wire GuardWG3-L

LAMP SELECTION CHART

	DC Voltage	Lamp Wattage	Lumen Output	Lamp Type	Lamp Suffix (Add to Unit Model No.)
Use With 6-Volt 2EL24 Series	8	8	180	Halogen	H7551
	9	9	220	Incand.	7613
Use With 12-Volt 2E12L56 Series	8	8	350	Halogen	H7555
	12	12	180	Incand.	4044



DIMENSIONS




UNIT SELECTION CHART

Volts	Model No. (Unit/Lamp Suffix)	Battery Type	Input Watts	Watts to 87.5% of rated battery voltage*			
				1 1/2 hrs.	2 hrs.	3 hrs.	4 hrs.
6	2EL24	Lead-Calcium	24	24	18	10	6
12	2E12L56			56	37	21	12

*National Electrical Code Specification

STANDARD FEATURE (all models)

Radius of Protection: 2 ft.
 Normal Life Span: 1 yr.



VC2-1 Vapor Capsule
 Stahlin Vapor Capsules contain a unique vapor phase inhibitor designed to protect metallic surfaces within an enclosure against airborne corrosion. By simply placing these self-contained capsules inside an enclosure the vapors readily permeate every point, passivating all metallic surfaces. When the capsule is removed from its sealed package, it begins to emit an invisible, non-toxic vapor which is diffused throughout the surrounding atmosphere until the air is saturated. The vapor then passivates the metal surfaces against atmospheric corrosion by reducing the electro-chemical activity on the metal surfaces.

ORDERING FORMAT

No. of Heads	Series	Capacity Indicator	Lamp Suffix	Option
2	S12E	4	/H7551	-V
			6V 8W Halogen	Time Delay