

Remote Fixture EPF401 LED Series

Hazardous location remote fixtures



Description

- LED Light source
- Indoor use
- Available as a single or double
- Heavy cast aluminum
- Pyrex® lenses

Finish

- Painted grey

Mounting

- Surface mount: wall or ceiling
- Pendant mount: single head or double head
- Pendant mount including hazardous location elbows, swivels and conduit extension pipe (6" increments)
- Combination hazardous location junction box/mounting plate
- Conduit entry ½" NPT

Photometric performance

Lamp	Spacing center-to-center (feet)	
	7 feet mounting height	15 feet mounting height
2 X LD1	43'	29'
2 X LD7	55'	36'
2 x LD9	67'	41'
2 x LD10	87'	62'
2 X LD13	56'	29'
2 X LD25	58'	39'

The EXP Family



EXP6N & EXP12N
battery unit
PG. 110-111

X402 series
exit sign unit
PG. 52-53

EXP6N & EXP12N
combination series
PG. 110-111

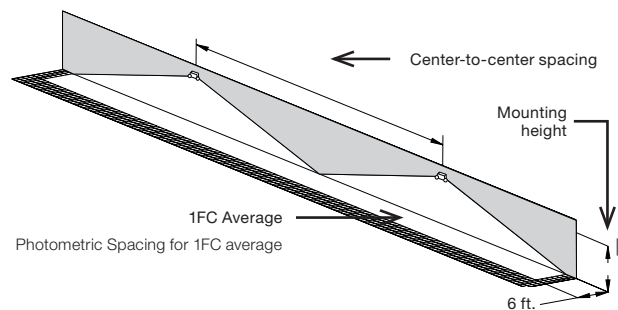
Approvals

- CSA US Listed
- Class I, Division 1&2, Groups C and D
- Class II, Division 1&2, Groups E, F and G
- Class III, Division 1&2, (150W max)
- Complies with NEC, OSHA and NEMA for above classes and groups
- Suitable for wet and damp location
- Temperature Code T6

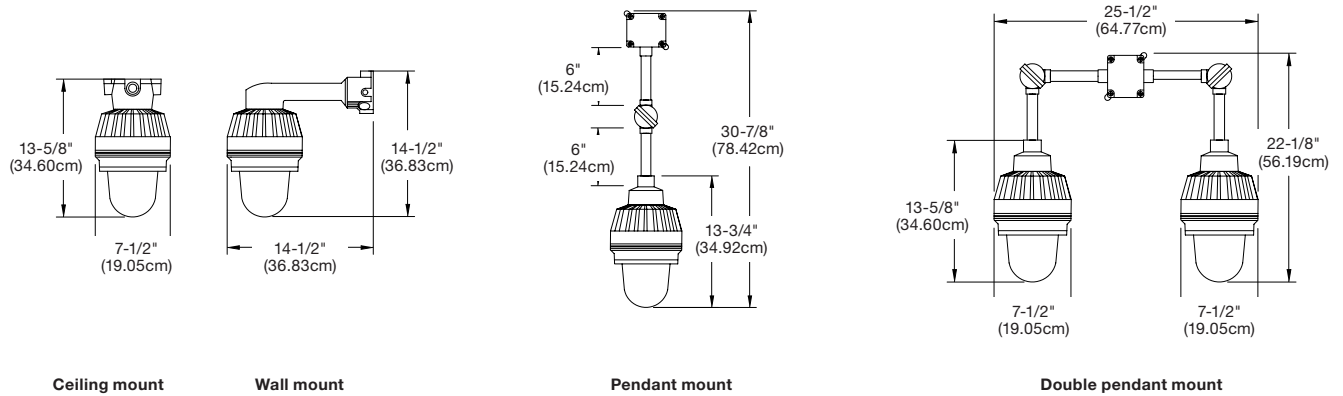
Warranty (subject to proper installation and maintenance)

Unit: five-year limited warranty




Detailed warranty terms located on [page 182](#) or online at: www.lightalarms.com



Dimensions (Dimensions are approximate and subject to change)



Options

Description		Suffix
Angle Reflector: Highly reflective white finish inside and out. Attaches to globe holder ring with four screws		-AG
Dome Reflector: Highly reflective white finish inside and out. Attaches to globe holder ring with four screws		-DM
Guard: One-piece aluminum casting construction. Attaches to globe holder ring with four screws		-GD

Temperature codes chart

Lamp suffix	Voltage	Wattage	Temperatures code
LD1	6V	4W	T6
LD7	12V	4W	T6
LD9	12V	5W	T6
LD10	12V	6W	T6
LD13	24V	4W	T6
LD25	120V	4W	T6

Ordering format

Series	Mounting	# of lamps	Voltage	Options
EPF401 = X-Proof LED Remote Fixture	C = Ceiling Mount P = Pendant Mount W = Wall Mount D = Double Pendant Mount	2 lamps ¹	LD1 = 6V-4W, MR16 LED LD7 = 12V-4W, MR16 LED LD9 = 12V-5W, MR16 LED LD10 = 12V-6W, MR16 LED LD13 = 24V-4W, MR16 LED LD25 = 120V-4W, GU10 LED	-AG = Angle reflector -DM = Dome reflector -GD = Guard
Example: EPF401P2LD1				

¹ Each head includes 2 lamps