

■ EPF401 Series

Explosion-Proof, Remote Lighting Fixture
For operation in Hazardous and/or Wet locations
AC or DC Operation

EPF401 Fixtures are designed for mounting in locations that are remote from their power source*. They are offered with 6, 12, and 24-volt lamps for DC operation. Lighting Fixture complies with NEC, OSHA and NEMA specifications for all above Classes and Groups and is UL listed for use in Paint Spray areas (75W max)

▣ FEATURES

Reliability

The **EPF401 Series** has a three-year full warranty (excluding lamps and fuses).

Unit Data

The **EPF401 Series** fixtures are manufactured of heavy cast aluminum with Pyrex** lenses. All attached hardware was designed for explosion-proof applications. Single and double pendant mount fixtures include elbows, swivels, a conduit extension pipe (6 inch increments) and a combination explosion-proof junction box/mounting plate. They can be wall, ceiling or pendant mount. The EPF401 Series are designed for mounting in locations that are Remote from their Power source*. They are offered with 6, 12, and 24 Volt lamps for DC operation.

**If power source is installed outside hazardous areas, the length of connection wires should be carefully considered to assure that voltage of emergency power unit and wire size of connecting circuit are adequate to offset voltage drop in circuit.*

***Registered trademark of Corning Glass*

▣ OPTIONS

(Add Suffix to Model No.)

Angle Reflector Highly reflective white finish inside and out. Attaches to globe holder ring with four screws



Dome Reflector Highly reflective white finish inside and out. Attaches to globe holder ring with four screws.....



Guard One-piece aluminum casting

▣ LAMP SELECTION CHART

Lamp Type	DC Voltage	Lamp Wattage	Replacement Part #	Lamp Suffix (Add to Unit Model No.)
High Intensity Tungsten (HIT)	6V	9W	135	L9
	6V	18W	136	L18
	12V	9W	138	L9
	12V	18W	139	L18
	12V	25W	140	L25
BI-PIN Halogen	6V	6W	784	LH4
	6V	8W	785	LH5
	6V	10W	787	LH7
	6V	12W	786	LH6
	6V	15W	JC6V-15W	LH1
	12V	8W	774	LH8
	12V	12W	783	LH3

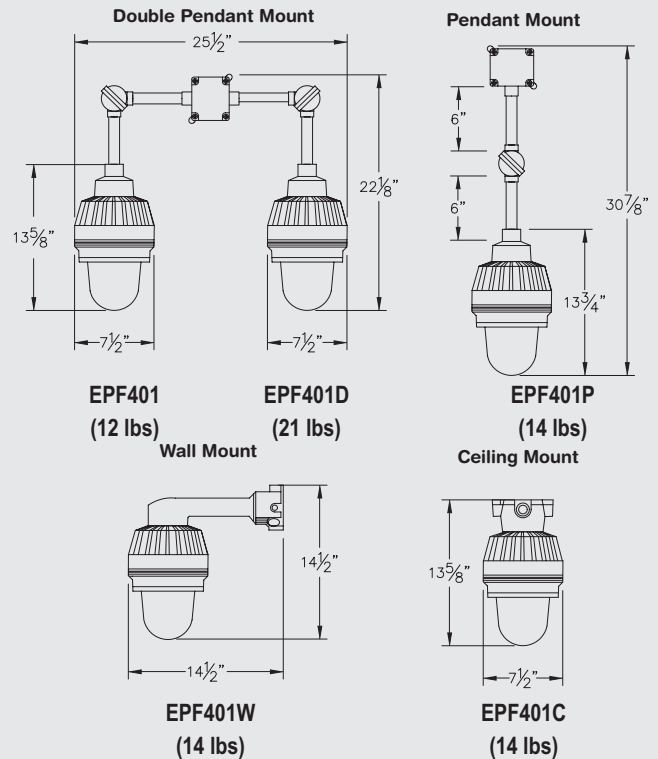
Note: Units are supplied standard with appropriate wattage (HIT) high intensity tungsten lamps (unless otherwise specified). Alternate wattage lamps or halogen lamps may be substituted as required. For run times other than 90 minutes, refer to Unit Rating Chart.



For AC or DC Operation

▣ DIMENSIONS

Dimensions are approximate and subject to change.



▣ ORDERING FORMAT

EPF401	W	/L25	12
Model	Wall mount	Lamp Suffix	Voltage