



# SERIES X402

TYPE: \_\_\_\_\_  
 CATALOGUE #: \_\_\_\_\_  
 NOTES: \_\_\_\_\_



## Explosion-Proof, Remote Exit Sign Fixtures DC or AC Operation

### For Operation in Hazardous Areas

- Class I, Groups C & D, Division 1 & 2 (300W PS-25 max)
- Class II, Groups E, F & G, Division 1 & 2 (60W max)
- Class III, Division 1 & 2 (150W max)
- UL listed for use in Paint Spray Areas (75W max)
- Suitable for Wet Locations
- Complies with NEC, OSHA and NEMA specifications for all above Classes and Groups

**Application** X402 series of exit signs are designed for use in Class I, Div. 1 & 2, Groups C & D, Class II, Div. 1 & 2, Groups E, F & G and Class III, Div. 1 & 2 hazardous locations. These Emergency Exit Signs are designed for mounting in locations that are remote from their power source\*. They are offered with 6, 12 and 24V lamps for DC operation. 120Vac fixtures are also available. (See Lamp chart.)

### Features

- All X402 fixtures are manufactured of heavy cast aluminum with pyrex\*\* lenses.
- All attached hardware is designed for explosion-proof application.
- Exit housing is heavy duty fabricated steel box with a gray baked enamel finish.
- Stenciled exit lettering is available on one or two faces
- All X402 series exit signs have extra large downlight openings.

### Options

#### Special Legends

Open face panels with special symbols or legends are available, contact factory.

### Lamp Type Chart

Lamp Type	Voltage	Power	Lamp Type	Average Life (hours)	Suffix
Quartz Bi-Pin	6V	15W	JC-6V15W	2,000	6
Medium Base	12V	25W	25A-12	1,000	12
	24V	25W	143A	1,000	24
	120V	25W	A19	2,500	120

\* If power source is installed outside hazardous areas, the length of connection wires to the lighting load should be carefully considered to assure that voltage of emergency power unit and wire size of connecting circuit are adequate to offset voltage drop in circuit. Wiring should comply with the requirements of Article 501.9 of the NEC.

\*\* Registered trademark of Corning Glass

### Accessories

TS Circuit should be considered for remote explosion-proof fixtures that are NORMALLY ON fixtures. Panels are available for 25, 50, 75 or 100W load.

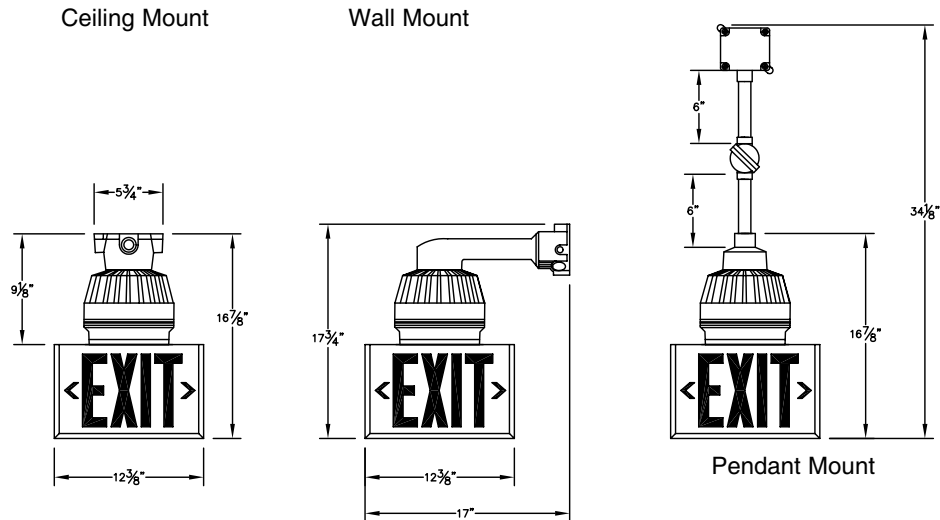
To order proper Transfer Circuit please contact the factory. see transfer panel specification on reverse.

### Ordering Information

Example: X402W6R

Faces	Model	Mount	Lamp Type	Lens Color
Blank = single face	X402 = series	W = wall mount	6 = JC 6V 15W *See Lamp Type Chart	R = red lens
2 = double face		C = ceiling mount		G = green lens
		P = pendant mount		

# Specifications For Series X402

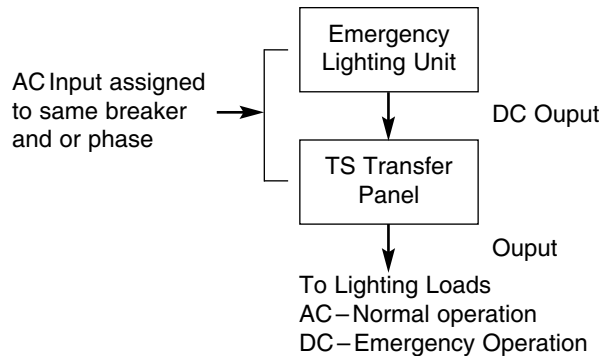


## Electrical Specifications for Transfer Panel

**Input Voltage:** from AC – 120 Volt, 60Hz, 1 phase  
(other voltages available)  
from DC – 12, 24 or 120 Volt (select)

**Output Voltage:** Must be identical to DC Input Voltage

**Wattage:** Panel oversized 10-20% greater than total connected load.



## TRANSFER:

TS panels should be considered for remote explosion-proof fixtures that are NORMALLY ON as constant operation fixtures. Panels are available for 25, 50, 75 or 100 watt load. Recessed Transfer Panel Boxes also available.

## To Order Model TS

To make the proper TS selection, the following information is required:

- 1) DC output voltage of emergency lighting system MUST be matched to DC input of TS panel load.
- 2) Number of fixtures to be connected to TS panel.
- 3) Total wattage of fixtures to be connected to TS panel.

NOTE: For normally-on applications (e.g. exit signs) use only long-life lamps.

**GENERAL:** The contractor shall install the Lightalarms X402 series of remote, explosion-proof exit signs as indicated on the plans. The X402 series shall be designed for use in Class I, Division 1 & 2, Groups C & D, Class II, Division 1 & 2, Groups E, F & G and Class III, Division 1 & 2 hazardous areas. Input power shall be specified in the catalog construct part number.

**FIXTURE HOUSING:** The remote exit sign shall be constructed of heavy-gauge cast aluminum with a heavy steel exit shroud with a single or double face exit legend. The legend shall be available in red or green lettering and meet requirements of UL924 with respect to brush stroke and width. The X402 series shall be available in wall, ceiling or pendant mount options per the specification.

**COMPATIBLE LAMP TYPE:** The X402 series shall be available with lamps for operation in normal and emergency mode from an emergency power source such as an emergency lighting unit equipment, inverter or generator.

## MANUFACTURER:

Unit shall be Lightalarms Model \_\_\_\_\_

## Ordering Information for Transfer Panel

Example: 120-12-TS-50

AC Input	DC Input	Model	Watts
120 = 120 volts input	-12 = 12 volts input	-TS = transfer panel	-50 = 50 watts



**Thomas & Betts**