



Severe Emergency Battery Unit

TYPE: _____
 CATALOGUE #: _____
 NOTES: _____



Sealed, Maintenance-free Lead-Calcium or Nickel-Cadmium Battery.



NEMA-4X



Application

The Severe Series will help change the way typical emergency lighting battery units are perceived. It is designed for use in commercial as well as industrial heavy-duty environments, such as hose-down areas, food-processing facilities, parking garages, and other demanding applications. The visually pleasing design makes it also ideal for schools and other public facilities. The Severe XV Emergency Battery Unit will provide 90 minutes of illumination for rated wattage upon loss of the AC power.

Features

- **RELIABILITY:** The Severe Series Emergency Battery Unit carries a 5-year limited warranty.
- **HOUSING:** The equipment is constructed of a die-cast Aluminum back plate and an aesthetically pleasing housing, made of industrial grade thermoplastic. The MR16 emergency lights are protected by a UV stabilized clear polycarbonate cover, which is installed with stainless steel tamper-proof screws. A special bit for these screws is provided with every unit and additional bits can be ordered separately (see accessories). Gaskets provide watertight, dust-tight NEMA-4X enclosure. The housing is available in 3 colors: mist white, black and gray. The unit is NSF Certified for use in food processing plants.
- **MOUNTING:** The wall-mount unit has a universal knockouts pattern for direct mounting on junction box. A 1/2" knockout, located on the top of the unit. Special bracket can be ordered (see accessories) for mounting on poles, I-beams or Superstrut® structures.

■ LIGHT SOURCE:

- The fully field adjustable emergency lighting heads can be equipped with standard MR16 halogen lamps (with a power range of 6 to 20W) or MR16 white LED lamps (the lamp power is 4W and includes a 3-Watt white LED)
- 90 minutes of emergency operation.
- The Severe Series of NEMA-4X Rated emergency lighting sets impressive new performance levels for center-to-center hallway egress illumination, illuminating an egress path up to 70-feet long and 3-feet wide. These results are achieved using the 20 watt MR16 IR lamps.

- **CHARGER:** The Severe XV Series Emergency Battery Unit is equipped with a fully automatic Improved Diagnostic Micro-controller based circuitry. The Micro-controller tests, detects and indicates any malfunction or failure of the battery, charger circuitry, or lamps. An external LED signals a general service alarm, while four internal diagnostic LED's indicate the nature of failure. The board is factory preset to non-audible diagnostic and a 15 minutes time delay. These functions

can be enabled or disabled during installation. The equipment comes standard with a dual voltage input of 120/277Vac.

Battery

Sealed, maintenance free, Lead-Calcium, battery with capacity of 18W to 54W for 90 minutes of emergency operation at 6Vdc or 12Vdc.

Sealed, maintenance free Nickel-Cadmium battery is UL listed for wet and damp location from 10°C to 40°C (50°F to 104°F).

Options

(Add Suffix to Model No.) Suffix
 Cold weather location (-40°C to +40°C) (-40°F to +104°F).....**CW4**

Accessories

(Order as separate item) Model
 Additional special bit for tamper-proof screws**TPB**
 Universal bracket for mounting on poles, I-beams or Superstrut® structures **PMK**

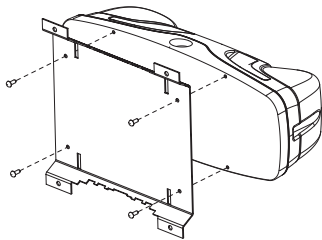
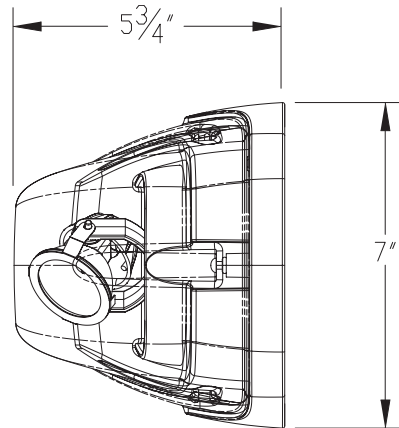
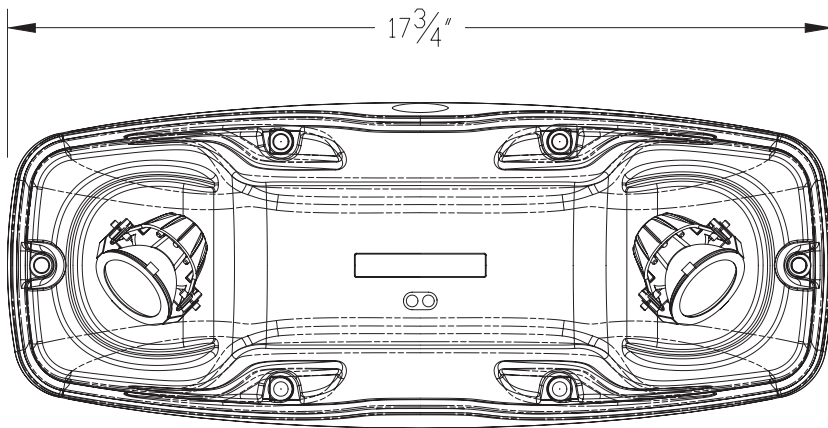
Power Consumption

Unit type	AC specification		
	Voltage	Current (Max.)	Effective power
Standard	120/277Vac; 60Hz	0.2/0.11 A	Less than 20W
Cold weather (option)	120/277Vac; 60Hz	0.7/0.35 A	Less than 100W

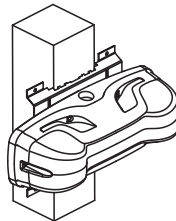
Unit Selection Chart

Volts	Unit Model No.	Capacity in Watts to 87 1/2 % of Nominal Battery Voltage			
		1 1/2 Hrs.	2 Hrs.	3 Hrs.	4 Hrs.
6	VG1	18	12	-	-
	V12G1	24	16	12	-
12	V12N1	24	20	12	-
	V12G2	36	25	20	14
	V12G3	54	37	28	21

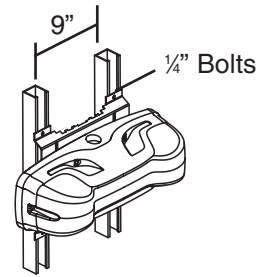
Specifications For Series Severe XV



PMK KIT (screws included)



Beam Mounting



Superstrut Mounting

Suggested Specification:

Supply and install Lightalarms, Severe XV Emergency Battery Unit, with electrically compatible fixtures or exit signs as indicated on the plans.

The unit shall include a die-cast aluminum back plate and an equipment frame of industrial grade thermoplastic with a gasket around lenses and canopy, specifically designed for hostile environments. The front of the unit shall be protected with a clear cover constructed of heavy-duty vandal-resistant, UV stabilized polycarbonate, fixed with tamper-proof screws. Emergency lights shall be fully adjustable and equipped with high efficiency MR16 lamps. The unit shall be NEMA-4X rated and designed specifically for high abuse areas, wet and damp locations (Nickel Cadmium Batteries), and cold weather application (CW4 option).

The Lightalarms Improved Diagnostic Micro-controller board shall supply the rated load for a minimum of 90 minutes to 87.5% of the rated battery voltage. The unit shall be rated 120/277VAC, 60Hz, and be UL listed. The unit shall have an output of ___ V ___ W.

The charger shall at first continuously recharge the battery, then when the battery is at full capacity, the charger will periodically pulse-charge the battery in stand-by mode. This pulse-type charger promotes long battery life and reduces the potential for grid corrossions. Its charge voltage is factory set to +/-1% tolerance and temperature

compensated. The charger incorporates Lockout and Brownout Circuits, and Low Voltage Disconnection. It protects the unit from over-current, short-circuit, and reverse polarity.

This unit shall self-test for 1 minute every 30 days, 30 minutes on the 6th month and 90 minutes every 12 months. The unit shall be capable of full recharge in compliance with UL specifications. The unit shall be furnished with a magnetic test switch. A "Service Required" lamp shall be located near the test switch and flash when a fault is detected. A LED-based diagnostic display shall be located inside the equipment and shall identify the source of failure (battery, charger, circuitry, or lamps).

The unit shall be Lightalarms Model - _____

***Unit Warranty:**

Entire unit (excluding lamps and batteries) carries a 5-year full warranty.

***Battery Warranty:**

Lead-Calcium batteries carry a 3-year full warranty and 3-year pro-rated warranty.

Nickel-Cadmium batteries carry a 5-year full warranty and 5-year pro-rated warranty.

*Subject to proper installation and maintenance.

Ordering Information

Example: 2V12G2/M12-B-D

Number of Heads	Series	Lamps	Color	Charger	Options
2= 2 heads	VG1 = 6V - 18W, Lead calcium V12G1 = 12V - 24W, Lead calcium* V12N1 = 12V - 24W, Nickel-Cadmium V12G2 = 12V - 36W, Lead calcium V12G3 = 12V - 54W, lead calcium *Only available with CW4 option.	/L5 = LED 12V-5W /M6 = 6V-6W /M10 = 6V-10W /M12 = 12V-12W /M20 = 12V-20W-IR	-B= black -G= gray -W= white	-D = improved diagnostic non-audible (standard) -DA = improved diagnostic audible	Blank= no options CW4= cold weather (-40°C to +40°C) Only available with V12G1 & V12G2.

