

FG, F12G Series

6, 12 or 24 Volt Weather and Corrosion-Resistant Emergency Unit

Sealed Maintenance-free Lead Calcium or Nickel-Cadmium Battery

UL Listed

The **FG Series** battery unit was designed for industrial applications, especially for installations in a corrosive atmosphere. This enclosure is fully gasketed and is furnished with stainless steel hardware.

FEATURES

Reliability

The **FG Series** has a three-year full warranty (excluding lamps and fuses).

Unit Data

The housing is a molded gray high impact thermoplastic case, featuring oil, water and dust-tight construction, stainless steel hardware, single piece neoprene gasket and vented battery compartment. External mounting feet are provided. Conduit entry can be made with a punch, drill or hole saw.

Lamp

Standard with two ELF647 PAR36 high impact mar-resistant thermoplastic heads. Furnished with two 6 or 12 volt 25 watt high intensity incandescent lamps*. Do not exceed unit battery capacity.

For optional lamps types and wattages refer to the lamp data chart on page 108-109

Pulse Type Charger

- Automatic, temperature compensated, pulse type charger.
- High capacity, automatic, dust-tight instantaneous transfer relay.
- Low voltage disconnect prevents over discharge of battery. Automatic brownout protection is provided.
- Labor saving AC line latch prevents battery discharge during installation to a non-energized circuit.
- Fused output circuit.

Controls

- Red charger monitor LED indicates state of charge of the battery.
- Amber AC-ON LED indicates AC power is on.
- Momentary test switch allows for quick operational check of entire system.

Power Requirements

120/277Vac 60Hz, 0.3/0.15 Amp

OPTIONS

(Add Suffix to Model No.)	Suffix
Ammeter or Voltmeter (choose only one)	-A* or -V*
Improved Diagnostics (audible)	-ID
Improved Diagnostics (non-audible)	-IDNA
Time Delay (specify 5, 10 or 15 minutes)	-TD_**
Thermal Jacket (120V Heater)	-H1
Thermal Jacket (277V Heater)	-H2
Lamp Disconnect Switch	-DS**
Phototest Switch	-PTS
3-Wire Cord & Plug (120V)	-3CP***
3-Wire Cord & Plug (277V)	-3CP-277***
NEXUS® wired	NEX
NEXUS® wireless	NEXRF

*Not available with diagnostic option.

** (ID or IDNA) includes a Time Delay function, if needed it can be enabled/disabled in the field or it can be preset at the factory by including the suffix ID-TD_ or IDNA-TD_

***Standard cord is 3 ft. custom lengths available.

ACCESSORIES

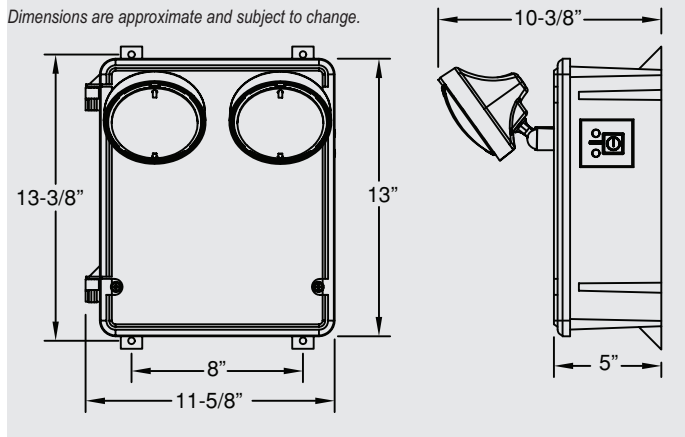
(Order as a separate item)

Wire GuardWG3-L



DIMENSIONS

Dimensions are approximate and subject to change.



UNIT SELECTION CHART

Each unit furnished with two 25W High Intensity incandescent lamp.

Volts	Model No. (Unit/Lamp Suffix)	Battery Type	Watts to 87.5% of rated battery voltage*		
			1 1/2 hrs.	2 hrs.	3 hrs.
6	2FG1/4510	Sealed	50	36	25
	2FG2/4510	Maintenance-Free	100	75	50
12	2F12G1/4446	Lead-Calcium	50	36	25
	2F12G2/4446		100	75	50
12	2F12N1/4446	Nickel-Cadmium	50	36	18
	F12N2 - 12V 100W		100	75	50
24	2F24N2/L28		100	73	37

*National Electrical Code Specification

ORDERING FORMAT

No. of Heads	Series	Capacity Indicator	Lamp Suffix	Option
2	FG	1	/4510	-V
			6V 25W Incandescent	Voltmeter