

## WP Series



### 6 or 12 Volt Weatherproof Emergency Unit Maintenance-Free Lead-Calcium, Wet Refillable Nickel-Cadmium Battery

The **WP Series** battery unit is designed with a special enclosure for applications where a weatherproof unit is required.

### FEATURES

#### Reliability

The **WP Series** has a three-year full warranty (excluding lamps and fuses).

#### Unit Data

The housing is constructed of heavy-duty steel with front access to the battery and all components. The housing has a galvanized undercoating and baked gray enamel finish. Knockout and controls are concealed at bottom of housing. Welded mounting brackets are provided on top of case.

#### Lamp

Standard with two ELF647 PAR36 high impact mar-resistant thermoplastic heads. Furnished with two 6 or 12 volt 25 watt high intensity incandescent lamps\*. Do not exceed unit battery capacity.

*For optional lamps types and wattages refer to the lamp data chart on page 108-109*

#### Pulse Type Charger

- Automatic, temperature compensated, pulse type charger.
- High capacity, automatic, dust-tight instantaneous transfer relay.
- Low voltage disconnect prevents over discharge of battery. Automatic brownout protection is provided.
- Labor saving AC line latch prevents battery discharge during installation to a non-energized circuit.
- Fused output circuit.

#### Controls

- Red charger monitor LED indicates state of charge of the battery.
- Amber AC-ON LED indicates AC power is on.
- Momentary test switch allows for quick operational check of entire system.

#### Power Requirements

120/277Vac 60Hz, 0.3/0.15 Amp

### OPTIONS

(Add Suffix to Model No.)

	Suffix
Voltmeter .....	-V
Ammeter .....	-A
Thermal Jacket (120V Heater) .....	-H1
Thermal Jacket (277V Heater) .....	-H2
Time Delay (specify 5, 10 or 15 minutes).....	-TD
Lamp Disconnect Switch .....	-DS
3-Wire Cord & Plug Kit.....	WP-3CP*
3-Wire Cord & Plug (277V) Kit .....	WP-3CP-277*

*\*Standard cord is 3 ft. custom lengths available.*

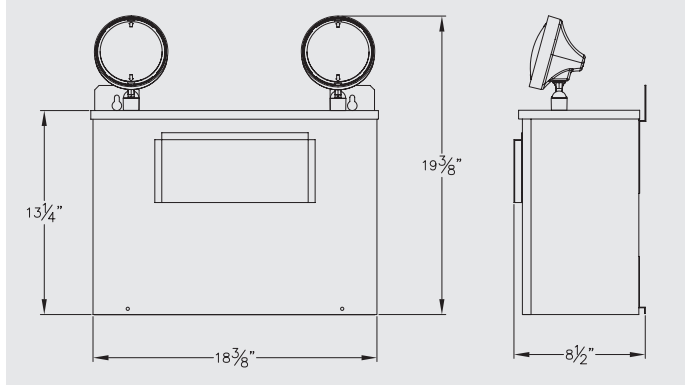
### ACCESSORIES

(Order as a separate item)

Wire Guard .....	WG4-L
------------------	-------

### DIMENSIONS

Dimensions are approximate and subject to change.



### UNIT SELECTION CHART

Volts	Model No. (Unit/Lamp Suffix)	Battery Type	Watts to 87.5% of rated battery voltage*			
			1 1/2 hrs.	2 hrs.	3 hrs.	4 hrs.
6	2SN2-WP/4510	Nickel- Cadmium	50	45	25	18
	2SN3-WP/4510		70	60	35	25
	2SN4-WP/4510		100	80	50	35
	2SN6-WP/4510		130	105	70	50
	2SN7-WP/4510		160	130	80	60
12	2S12E4-WP/4446	Sealed	200	150	100	75
	2S12E5-WP/4446	Lead-	300	225	110	110
	2S12E6-WP/4446	Calcium	400	300	150	150

\*National Electrical Code Specification

**Note:** Above capacity ratings are subject to an ambient of 50 to 85 degrees. Extremes of temperatures beyond this range will have a detrimental effect on the specified ratings. For extreme cold, use of a thermal jacket is recommended.

### ORDERING FORMAT

2	SL	9	-WP	/4510	-G	-V
No. of Heads	Series Indicator	Capacity Indicator	Weatherproof Enclosure Series	Lamp Suffix	Color	Option
				6V 25W Incandescent	Gray	Voltmeter