

■ S12N Series



12 Volt Emergency Unit with Remote Capability
Long Life Wet Refillable Nickel-Cadmium Battery
UL Listed

The **S12N Series** battery units are excellent high capacity units – ideal where extended run times may be required or remote fixtures/exits will be connected. This unit will provide excellent performance over extended temperature ranges.

▣ FEATURES

Reliability

The **S12N Series** has a three-year full warranty (excluding lamps and fuses).

Unit Data

Battery and all components are housed in a heavy-duty steel cabinet, with a removable front panel for ease of installation and servicing. The front panel includes a view port for visual inspection of the battery, which is encased in a clean, smooth container of transparent high impact material. Gray enamel is the standard cabinet finish. All cabinets come standard with 7/8" conduit knockouts, rear keyhole mounting slots and provisions for mounting up to 3 heads on the cabinet. Mounting platform is also available, see accessories.

Lamp

Standard with two ELF645 PAR36 high impact mar-resistant thermoplastic heads. Furnished with two 12 volt 25 watt high intensity incandescent heads. Other lighting head styles are also available see options. Do not exceed unit battery capacity.

For optional lamps types and wattages refer to the lamp data chart on page 108-109

Pulse Type Charger

- Automatic, temperature compensated, pulse type charger.
- High capacity, automatic, dust-tight instantaneous transfer relay.
- Low voltage disconnect prevents over discharge of battery. Automatic brownout protection is provided.
- Labor saving AC line latch prevents battery discharge during installation to a non-energized circuit.
- Fused output circuit.

Controls

- Red charger monitor LED indicates state of charge of the battery.
- Amber AC-ON LED indicates AC power is on.
- Momentary test switch allows for quick operational check of entire system.

Power Requirements

120/277Vac 60Hz, 0.30/0.15 Amp

▣ OPTIONS

(Add Suffix to Model No.)

	Suffix
Voltmeter	-V
Ammeter	-A
Lamp Disconnect switch.....	-DS
Time Delay (specify 5, 10 or 15 minutes).....	-TD_
Mist White Color (Replace -G with -M)	-M
3-Wire Cord & Plug.....	-3CP*
3-Wire Cord & Plug (277V)	-3CP-277*

**Standard cord is 3 ft. custom lengths available.*

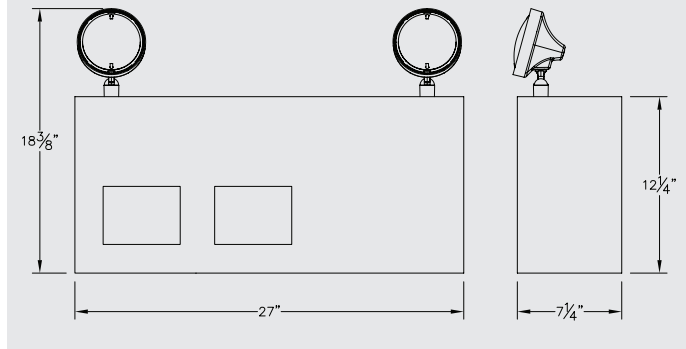
▣ ACCESSORIES

(Order as a separate item)

Wire Guard	WG4-L
Mounting Platform.....	MP12

▣ DIMENSIONS

Dimensions are approximate and subject to change.



▣ UNIT SELECTION CHART

Volts	Model No. (Unit/Lamp Suffix)	Watts to 87.5% of rated battery voltage*			
		1 1/2 hrs.	2 hrs.	3 hrs.	4 hrs.
12	2S12N2/L25-G	100	90	50	35
	2S12N3/L25-G	140	120	70	50
	2S12N4/L25-G	200	160	100	70
	2S12N6/L25-G	260	210	150	100
	2S12N7/L25-G	320	260	170	120

**National Electrical Code Specification*

▣ ORDERING FORMAT

2	S12N	3	/L25	-G	-V
No. of Heads	Series	Capacity Indicator	Lamp Suffix	Finish	Option
			12V 25W Incandescent	Gray Enamel	Voltmeter