

# ■ S24E Series



**24 Volt Commercial/Industrial Emergency Unit**  
**Sealed Maintenance-Free, Lead-Calcium Battery**  
**UL Listed**

The **S24E Series** battery unit is best suited for applications requiring high capacity maintenance-free batteries, multiple remote capabilities or extended operating times. The 24-volt battery allows for longer remote wiring runs.

## ▣ FEATURES

### Reliability

The **S24E Series** has a three-year full warranty (excluding lamps and fuses).

### Unit Data

The battery and all components are housed in a heavy-duty steel cabinet, with a removable front access panel for ease of installation and maintenance. The standard cabinet finish will be gray enamel, but "mist-white" is also available (see options). All cabinets come standard with 7/8" conduit knockouts, rear keyhole mounting slots and provisions for mounting up to 3 heads on the cabinet. Mounting brackets and platforms are also available, see accessories.

### Lamp

Standard with two ELF645 PAR36 high impact mar-resistant thermoplastic heads. Furnished with two 24 volt 25 watt high intensity incandescent lamps\*. Other lighting head styles are also available see options. Do not exceed unit battery capacity.

*For optional lamps types and wattages refer to the lamp data chart on page 108-109*

### Pulse Type Charger

- Automatic, temperature compensated, pulse type charger.
- High capacity, automatic, dust-tight instantaneous transfer relay.
- Low voltage disconnect prevents over discharge of battery. Automatic brownout protection is provided.
- Labor saving AC line latch prevents battery discharge during installation to a non-energized circuit.
- Fused output circuit.

### Controls

- Red charger monitor LED indicates state of charge of the battery.
- Amber AC-ON LED indicates AC power is on.
- Momentary test switch allows for quick operational check of entire system.

### Power Requirements

120/277Vac 60Hz, 0.3/0.15 Amp

## ▣ Head & Lamp Type Options

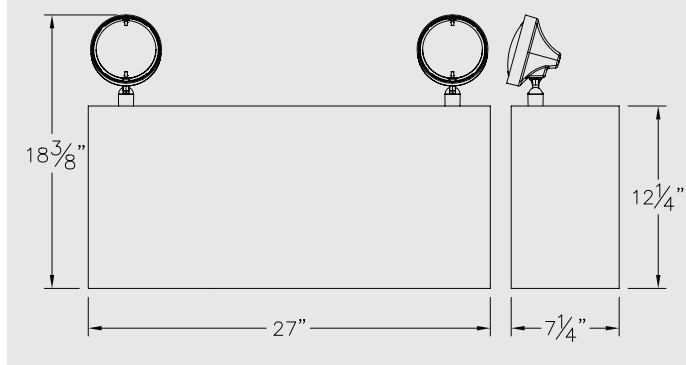
No heads .....	0
Three heads .....	3
Double contact bayonet base, Bi-Pin Halogen,	
Wedge base, Sealed Beam Lamps .....	/ELF 645
MR16 lamps up to 20 watts .....	/ELF 3
MR16 lamps .....	/DR1130

## ▣ OPTIONS

(Add Suffix to Model No.)	Suffix
Voltmeter (Not available with diagnostics) .....	-V
Ammeter (Not available with diagnostics) .....	-A
Lamp Disconnect Switch .....	-DS*
Time Delay (specify 5, 10 or 15 minutes) .....	-TD_**
Improved Diagnostics (audible) .....	-ID
Improved Diagnostics (non-audible) .....	-IDNA
Mist White Color (Replace -G with -M) .....	-M
3-Wire Cord & Plug .....	-3CP**

## ▣ DIMENSIONS

*Dimensions are approximate and subject to change.*



## ▣ UNIT SELECTION CHART

Volts	Model No. (Unit/Lamp Suffix)	Watts to 87.5% of rated battery voltage*			
		1 1/2 hrs.	2 hrs.	3 hrs.	4 hrs.
24	S24E4/L28-G	400	300	120	60

\*National Electrical Code Specification

3-Wire Cord & Plug (277V).....-3CP-277\*\*

\* Not required with ID option

\*\* (ID or IDNA) includes a Time Delay function, if needed it can be enabled/disabled in the field or it can be preset at the factory by including the suffix ID-TD\_ or IDNA-TD\_

## ▣ ACCESSORIES

(Order as a separate item)

## ▣ ORDERING FORMAT

2	S24E	4	/L28	-G	-V
No. of Heads	Series	Capacity Indicator	Lamp Suffix 24V 25W Incandescent	Finish Gray Enamel	Option Voltmeter