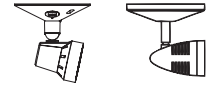


PG & P12G Series

Steel housing 6V up to 54W & 12V-54W capacities Lead-Calcium battery



Available Head Style Choices: ELF3 DR130
Head Style Suffix: /ELF3 /DR130

BATTERY UNITS

Housing

- Steel housing
- Standard mist white finish, optional black finish
- Choice of MR16 LED lamp voltages and wattages
- Heads available in thermoplastic or decorative die-cast aluminum

Mounting

- Wall mount
- Universal J-box mounting

Electronics

- Pulse plus charger
- Low voltage disconnect
- Automatic brownout protection
- Battery lock-out
- Fused output circuit
- Optional: Improved Diagnostics
- Optional: Nexus® monitoring system
- 120/277 60Hz

Photometric performance

Lamp	Spacing center-to-center (feet)	
	7 feet mounting height	15 feet mounting height
LD1	43'	36'
LD7	55'	43'
LD9	71'	56'
LD10	100'	85'

Choice of Battery

- 6V or 12V Lead-Calcium battery

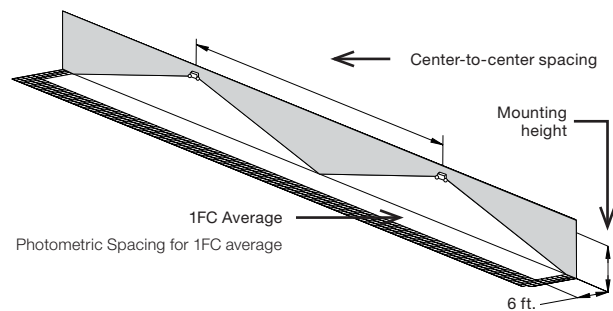
Approvals

- UL 924 Standard
- New York City Approved

Warranty (subject to proper installation and maintenance)

Unit: three-year limited warranty

Detailed warranty terms located on **page 182** or online at: www.lightalarms.com



Housing color

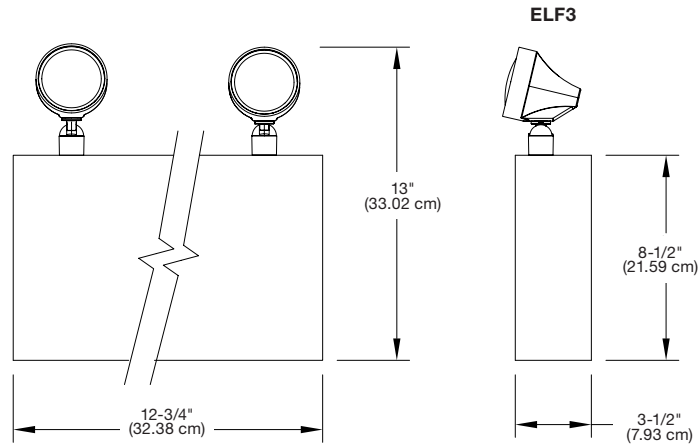


Black



Mist White

Dimensions (Dimensions are approximate and subject to change)



Power consumption chart

Series	Battery	Voltage	DC Specs				AC Specs	
			Battery capacity (in watts)				Units dual voltage ¹	Current Maximum
			90 Mins	2 Hrs	3 Hrs	4 Hrs		
PG1	Lead-Calcium	6V	18	15	0	0	120VAC 277VAC	0.25A 0.15A
PG2		6V	54	36	27	18		
P12G1		12V	54	36	27	18		

¹ All units 120/277 dual voltage, information based on wiring to specific voltage type

Accessories (Order as a separate item)

Description	Product code
Wire guard	WG2-L
Mounting platform	MP-PQA

Ordering format

Number of heads	Series/Capacity	Head style	Lamp type	Housing color	Options
0= No heads	PG1 = 6V-18W	/ELF3 = ELF3	LD1 = 6V-4W MR16 LED	-M = Mist White	Blank = No Options
1= One head	PG2 = 6V-54W	(MR16, Plastic)	LD7 = 12V-4W MR16 LED	-B = Black	-ID = Improved Diagnostics (audible) ^{1,3}
2= Two heads	P12G1 = 12V-54W	/DR130 = DR130	LD9 = 12V-5W MR16 LED		-IDNA = Improved Diagnostics (non audible) ^{1,3}
3= Three heads		(MR16, Metal)	LD10 = 12V-6W MR16 LED		-NEX = Nexus® Wired (contact your sales representative) ³
					-NEXRF = Nexus® Wireless (contact your sales representative) ³
					-T3 = Time delay (15 minute)
					-DS = Lamp disconnect switch
					-VS = Vandal-Resistant Screws
					-3CP = 120V Cord & plug, 3 wire, 3ft long ²

Example: 2PG1/DR130LD1

¹ -ID & -IDNA include a time delay feature that can be enabled/disabled in the field or set by the factory by including -ID-TD* or -IDNA-TD*

² -3CP custom length available. Consult your sales representative

³ Minimum lamp load required: 20% of unit capacity