

# PG, P12G Series



**6 or 12 Volt Steel Emergency Unit**  
**Sealed Maintenance-Free Lead Calcium Battery**

**UL Listed**

The **PG, P12G** Series battery units combine reliability, versatility, performance and cost-efficiency in an aesthetically pleasing design. Ideally suited for a range of commercial applications.

## FEATURES

### Reliability

The **PG Series** has a three-year full warranty (excluding lamps and fuses).

### Unit Data

Constructed of rugged steel with a corrosion-resistant undercoating, the PG Series cabinet has a removable front panel providing easy access allowing the unit to be mounted at ceiling height. Standard unit color is "mist-white", but black housing and heads are also optional. All cabinets come standard with 7/8" conduit knockouts, rear keyhole mounting slots and provisions for mounting up to 3 heads on the cabinet.

### Lamp

Standard with two ELF645 PAR36 high impact mar-resistant thermoplastic heads. Furnished with two 6 or 12 volt 9 watt high intensity wedge base incandescent lamps\*. Other lighting head styles are also available see options. Do not exceed unit battery capacity.

\* Note: For optional lamp types and wattages refer to the lamp data chart on page 108-109.

### Pulse Type Charger

- Automatic, temperature compensated, pulse type charger.
- High capacity, automatic, dust-tight instantaneous transfer relay.
- Low voltage disconnect prevents over discharge of battery. Automatic brownout protection is provided.
- Labor saving AC line latch prevents battery discharge during installation to a non-energized circuit.
- Fused output circuit.

### Controls

- Red charger monitor LED indicates state of charge of the battery.
- Amber AC-ON LED indicates AC power is on.
- Momentary test switch allows for quick operational check of entire system.

### Power Requirements

120/277Vac 60Hz, 0.25/0.12 Amp, 30 Watts (Max)

## Head & Lamp Type Options

No heads .....	0
Three heads .....	3
Double contact bayonet base, Bi-Pin Halogen, Wedge base, Sealed Beam Lamps .....	/ELF 645
Bi-Pin Halogen lamps.....	/ELF 2
MR16 lamps up to 20 watts .....	/ELF 3
MR16 lamps .....	/DR1130

## OPTIONS

(Add Suffix to Model No.)

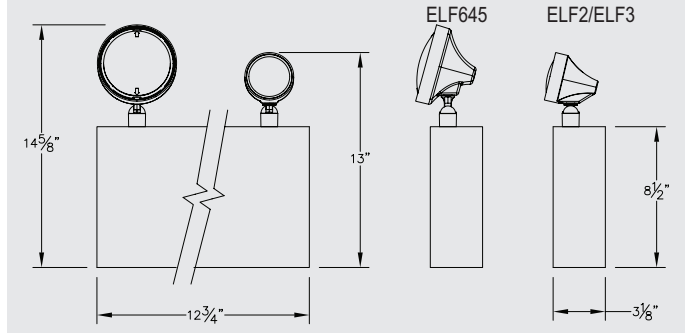
Black Housing and Heads.....	-B
Ammeter or Voltmeter (choose only one) .....	-A* or -V*
Improved Diagnostics (audible) .....	-ID
Improved Diagnostics (non-audible) .....	-IDNA
Time Delay (specify 5, 10 or 15 minutes) .....	TD_**
Nickel-Cadmium Battery .....	-N
NEXUS® wired.....	NEX
NEXUS® wireless .....	NEXRF

\*Not available with diagnostic option

\*\* (ID or IDNA) includes a Time Delay function, if needed it can be enabled/disabled in the field or it can be preset at the factory by including the suffix ID-TD\_ or IDNA-TD\_

## DIMENSIONS

Dimensions are approximate and subject to change.



## ACCESSORIES

(Order as a separate item)

Wire Guard .....	WG2-L
Mounting Platform .....	MP-PQA

## UNIT SELECTION CHART

Each unit furnished with two 9W High Intensity incandescent lamp.

Volts	Model No. (unit / Lamp Suffix)	*Watts to 87 1/2% of Rated Battery Voltage			
		1 1/2 hrs.	2 hrs.	3 hrs.	4 hrs.
6	2PG1/L9-M	18	15	-	-
	2PG2/L9-M	54	36	27	18
12	2P12G1/L9-M	54	36	27	18

\*National Electrical Code Specification

## ORDERING FORMAT

2	PG	1	/L9	-M	-DS
<b>No. of Heads</b>	<b>Series</b>	<b>Capacity Indicator</b>	<b>Lamp Suffix</b>	<b>Finish</b>	<b>Option</b>
		6V 9W	Incandescent	Mist White	Disconnect Switch