



MG, MN Series

6 or 12 Volt Steel Emergency Unit
Sealed Maintenance-Free Lead Calcium or Nickel-Cadmium Battery
UL Listed

The MG, MN Series battery unit incorporates a complete range of high performance and labor saving features normally found only in higher voltage units. The compact housing design meets most requirements for moderate loads. The MG, MN Series is a reliable, economic unit for all public areas.

FEATURES

Reliability

The MG, MN Series has a three-year full warranty (excluding lamps and fuses).

Unit Data

Compact steel cabinet with corrosion-resistant undercoating – standard color is “mist white”, black available as an option. The hinged front panel provides access to the battery and charger for ease of installation and maintenance. The MG, MN Series has rear keyhole mounting slots and is designed to mount directly to any standard 4” junction box.

Lamp

Standard with two ELF645 PAR36 high impact mar-resistant thermoplastic heads. Furnished with two 6 or 12 volt 9 watt high intensity wedge base incandescent lamps*. Other lighting head styles are also available see options. Do not exceed unit battery capacity.

* Note: For optional lamp types and wattages refer to the lamp data chart on page 108-109

Pulse Type Charger

- Automatic, temperature compensated, pulse type charger.
- High capacity, automatic, dust-tight instantaneous transfer relay.
- Low voltage disconnect prevents over discharge of battery. Automatic brownout protection is provided.
- Labor saving AC line latch prevents battery discharge during installation to a non-energized circuit.
- Fused output circuit.

Controls

- Red charger monitor LED indicates state of charge of the battery.
- Amber AC-ON LED indicates AC power is on.
- Momentary test switch allows for quick operational check of entire system.

Power Requirements

120/277Vac 60Hz, 0.3/0.15 Amp

OPTIONS

(Add Suffix to Model No.)	Suffix
Black Housing and Heads (Replace -M with -B)	-B
Ammeter and/or Voltmeter	-A* or -V*
Lamp Disconnect Switch	-DS**
Improved Diagnostics (audible)	-ID
Improved Diagnostics (non-audible)	-IDNA
Time Delay (specify 5, 10 or 15 minutes)	TD_**
Vandal Resistant Screws	-VR
Front Mounted Heads (for Low ceilings)	-FM
3-Wire Cord & Plug	-3CP***
3-Wire Cord & Plug (277V)	-3CP-277***
PAR18 Size Lamp Heads	/ELF2
DR1130 Decorative Heads (White)	D1130
NEXUS® wired	NEX
NEXUS® wireless	NEXRF

* Not available with diagnostic option.

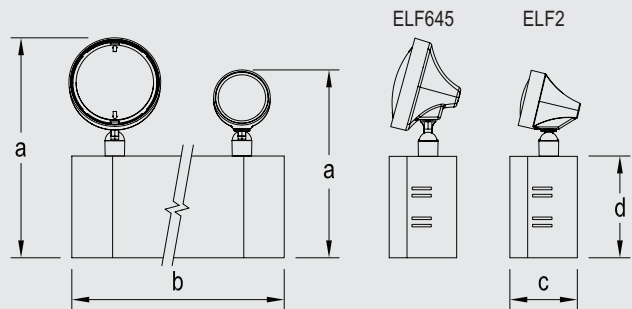
** (ID or IDNA) includes a Time Delay function, if needed it can be enabled/disabled in the field or it can be preset at the factory by including the suffix ID-TD_ or IDNA-TD_

***Standard cord is 3 ft. custom lengths available.



DIMENSIONS

Dimensions are approximate and subject to change.



Cabinet	Dimensions			
	a	b	c	d
S	11-3/8" // 9-3/4"	11"	3-1/2"	5-1/4"
L	12-3/8" // 10-3/4"	12-1/2"	4"	6-1/4"

ACCESSORIES

(Order as a separate item)

Mounting Platform	MP-PQA
Wire Guard (S cabinet)	WG1-L
Wire Guard (L cabinet)	WG2-L
Wire Guard (Front mounted heads)	WG10-L

UNIT RATING CHART

	Volts	Model No. (unit / Lamp Suffix)	*Watts to 87 1/2% of Rated Battery Voltage				Cabinet Size
			1 1/2 hrs.	2 hrs.	3 hrs.	4 hrs.	
Lead-Calcium	6	2MG1/L9-M	27	18	14	-	S
	6	2MG2/L9-M**	54	37	28	21	L
	12	2M12G1/L9-M	36	25	20	14	S
	12	2M12G2/L9-M**	54	37	28	21	L
Nickel-Cadmium	6	2MN1/L9-M	25	18	12	-	S
	12	2M12N1/L9-M	36	21	15	12	S
	12	2M12N2/L9-M	50	36	25	18	S

*National Electrical Code Specification

**Do not exceed unit rating in voltage or capacity.

ORDERING FORMAT

2	MG	1	/L9	-M	-ID
No. of Heads	Series	Capacity Indicator	Lamp Suffix	Finish	Option
			6V 9W Incandescent	Mist White	