

# MC Series

**6 or 12 Volts Emergency Unit**  
**Sealed Maintenance-Free Lead Calcium or Nickel-Cadmium Battery**  
**UL Listed**

The Lightalarms **MC Series** emergency battery unit incorporates performance and labor-saving features, normally found only in higher capacity units, in a economical compact housing design.

The **MC Series** is ideally suited for commercial applications where space, performance and ease of installation are required.

## FEATURES

### Reliability

The **MC Series** has a three year full warranty (excluding lamps and fuses).

### Unit Data

Compact steel cabinet with corrosion-resistant undercoating standard color is "mist white", black available as an option. The MC Series has rear keyhole mounting slots and is designed to mount directly to any standard 4" junction box.

### Lamp

Standard unit furnished with two, Par 18 size heads constructed of impact resistant, flame retardant thermoplastic heads complete with 6-watt, MR16 halogen lamps. Also available up to 20W(MH20) high output illumination.

### Solid State Charger

- Automatic, temperature compensated type charger.
- High capacity, automatic, dust-tight instantaneous transfer relay.
- Low voltage disconnect prevents over discharge of battery. Automatic brownout protection is provided.
- Labor saving AC line latch prevents battery discharge during installation to a non-energized circuit.
- Fused output circuit.
- Optional Improved Diagnostics comes with a micro controller based pulse type charges.

### Power Requirements

120/277Vac 60Hz, 0.3/0.15 Amp.

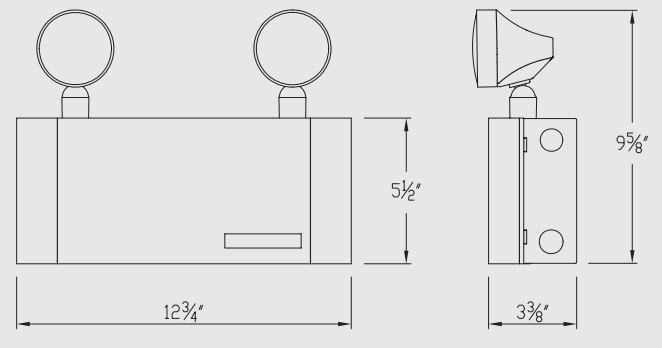
## POWER CONSUMPTION

Model #	AC Input	Maximum	
		Input Current	Input Power
MC	120 Vac	0.20 A	24 W
	277 Vac	0.08 A	24 W
MC12	120 Vac	0.24 A	30 W
	277 Vac	0.12 A	30 W



## DIMENSIONS

Dimensions are approximate and subject to change.



## UNIT RATING CHART

Battery Type	Volts	Model #	Watts to 87.5% of rated battery voltage*			
			1 1/2 hrs.	2 hrs.	3 hrs.	4 hrs.
Lead-Calcium	6	MCG	18	12	10	-
		MCG1	20	15	12	-
		MCG2	27	18	15	9
		MCG3	30	20	18	10
		MCG5	36	27	20	12
Nickel-Cadmium	12	MCG5	40	30	24	15
		MC12G1	36	27	20	12
		MC12G2	40	30	24	15
Nickel-Cadmium	6	MCN1	20	18	12	-
		MC12N1	36	24	15	12
		MC12N2	50	36	24	18

\* National Electrical Code Specification

## ORDERING FORMAT

2	MCG4	/ELF3	-M6	-M	-ID
<b>Number of Heads</b>	<b>Series/D.C. Voltage/Capacity</b>	<b>Head style</b>	<b>Lamp type</b>	<b>Color</b>	<b>Options</b>
0= no heads 2= Two Heads	MCG= 6V - 18W, lead calcium MCG1= 6V - 20W, lead calcium MCG2= 6V - 27W, lead calcium MCG3= 6V - 30W lead calcium MCG4= 6V - 36W lead calcium MCG5= 6V - 40W lead calcium* MC12G1= 12V - 36W, lead calcium MC12G2= 12V - 40W, lead calcium MCN1= 6V - 20W, Ni-cad MC12N1= 12V - 36W, Ni-cad MC12N2= 12V - 50W, Ni-cad	/ELF3= mini plastic MR16	-M5= MR16 6V 5W -M6= MR16 6V 6W -M10= MR16 6V 10W -M12= MR16 12V 12W -M20= MR16 12V 20W -MH20=12V 20W High Output	-M= mist white enamel finish -B= black enamel finish	-ID= improved diagnostics -IDNA= improved diagnostics non-audible -NEX= NEXUS® wired* -NEXRF= NEXUS® wireless*

\* Not available with ID/IDNA Option