



SERIES DM, DS (3-6-7)

TYPE: _____
 CATALOGUE #: _____
 NOTES: _____



Thermoplastic Decorative Emergency Lighting Unit 6 Volt Maintenance-Free Lead Calcium Battery.



Application Ideal for light commercial, industrial, and institutional applications requiring economical compact design without sacrificing quality, reliability and appearance.

General Information

The **DM, DS Series** is an excellent combination of economy and quality – the best offered in the industry. This unit is compact, lightweight, and corrosion resistant.

Each unit is self-contained and furnished standard with fully automatic charger, sealed relay, sealed maintenance-free battery, dual voltage transformer, low voltage battery disconnect, lockout, brownout, test switch, LED pilot light supervision and highly efficient light source.

Features

■ **RELIABILITY:** The DM, DS Series comes complete with a 3-year full warranty. Each unit is fully computer tested.

■ **UNIT DATA:**
 Housing: Compact fire-retardant thermoplastic construction. Meets UL 94 -5VA Flame Classification. Mist cabinet. Lightweight; compact and corrosion-resistant. Quick and easy installation. Lighting heads programmable for either top or side mounting.

■ **MOUNTING:** Designed to mount directly to any standard 4" octagonal electric box via universal knockouts. Keyhole mounting slots provided on backplate. Mounting of heads on cabinet is programmable for either top or side mounting. 1/2" conduit entry provided on left side of cabinet.

■ **PULSE TYPE CHARGER:** PulseType Circuitry offers 120/277 volt input standard, dual diagnostic indicator lights, temperature compensation, sealed relay, low voltage battery disconnect, brownout protection and battery lockout.

Lamp Heads

Thermoplastic heads can be top or side mounted and easily moved to either location by contractor without re-wiring.

DM MODELS: PAR 18 size heads.
 2DM3 has 6W high intensity incandescent lamps.

2DM6 has 9W high intensity incandescent lamps.

DS MODELS: PAR 36 size heads.
 2DS3 has 6W high intensity incandescent lamps.

2DS6 has 9W high intensity incandescent lamps.

Note: Tungsten halogen lamps optional.

Accessories

(order as a separate item)

Guard (top mounted heads)WG1-L

Guard (side mounted PAR 18 heads) ..WG10-L

Guard (side mounted PAR 36 heads) ..WG4-L

* Standard cord is 3 ft. custom lengths available.

NOTE: Certain option combinations may affect the listing. Please contact the factory.

Electrical

Power Requirements: 120/277Vac, 60 Hz., 0.3/0.15 A (other inputs available)

Output: 6 volt output circuit. **Transfer:** dust-tight, sealed relay automatically and instantly energizes lamp load upon failure of AC supply. **LVD:** low voltage battery disconnect circuit automatically shuts down lamp load and circuitry when battery reaches 87½% of its nominal voltage, preventing deep discharge and permanent damage to the battery. **Lockout:** labor saving electronic circuit automatically connects battery when AC circuit is activated. **Brownout:** close tolerance electronic circuit activates emergency unit when utility power dips below 80-85% of nominal voltage.

Charger: the PulseType charging circuit utilizes an integrated circuit which samples the battery in relation to its temperature, state of charge and input voltage fluctuations. The charger is current limited, temperature compensated, short-circuit proof and reverse polarity protected. Charge regulation is ±1%. The equipment is capable of full recharge in compliance with Underwriters Laboratories 924 specifications. **Transformer:** 120/277 volt. **Controls:** test switch and pilot light.

Options

(Add Suffix to Model No.) Suffix

3-wire Cord & Plug3CP

3-wire Cord & Plug (277V) . .3CP-277

Black Housing and Heads-B

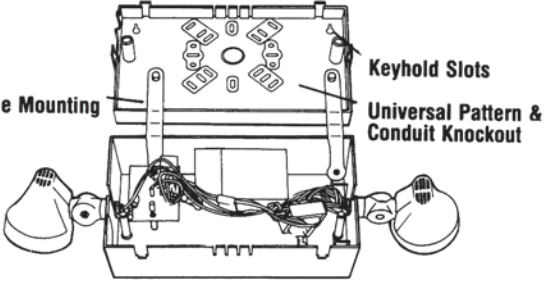
Voltmeter (Not available with diagnostics) ..-V

Ammeter or Voltmeter
 (Choose only one)-V or -A

Time Delay-TD

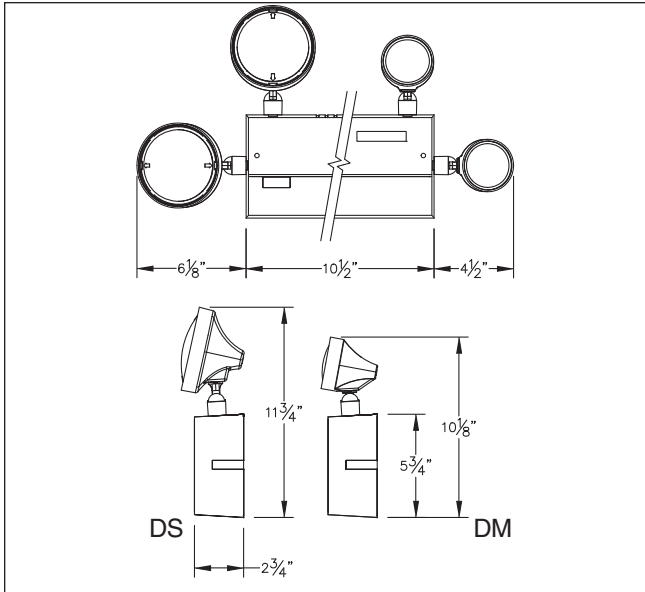
Specifications For Series DM, DS (3-6-7)

Installation



Installation is made easy by the two flexible hanger straps and the battery lockout feature. The flexible hanger straps are a third hand for the contractor. After the mounting backplate is secured to an outlet box the DM, DS is attached to the backplate using the hanger straps, thus freeing the contractor's hands to make the wire connections. The battery lockout feature is an AC activated load switch that prevents the battery from discharging until the unit is energized with AC power. This allows the contractor to install the DM, DS unit and connect the battery in one convenient operation. A universal mounting pattern keyhole slots and a conduit knock-out provide alternate mounting methods.

Outline and Dimensions



Unit Selection Chart

Model No. (unit/Lamp Suffix)	Capacity in Watts to 87 1/2% of nominal Battery Voltage	
	1 1/2 hrs.	2 hrs.
2DS3/L5-M	12	8
2DS6/L9-M	18	12
2DS7/L9-M	27	21

Substitute "S" for "M" for mini head (PAR18 size heads)
 *Large cabinet
 *National Electrical Code Specification

*Unit Warranty

Entire unit (excluding lamps and fuses) carries a 3-year Full Warranty.

*Battery Warranty

Unit batteries are warranted as follows:

Sealed Lead Calcium: 8-year life expectancy, 3-year Full Warranty, plus 3-year pro rata warranty.

Suggested Specification

Supply and install **Lightalarms Series DM, DS Series** _____.

The emergency lighting unit shall be an architecturally designed, self-contained fixture including sealed maintenance-free Lead Calcium battery.

The unit shall supply the rated load for a minimum of 90 minutes to 87 1/2% of rated battery voltage. The unit shall be rated 120/277Vac, 60 Hz and be UL924 listed.

The unit charger shall utilize an integrated circuit which samples the battery in relation to its temperature, state of charge and input voltage fluctuations. The charger shall be current limited, temperature compensated, short-circuit protected and reverse polarity protected. The unit shall be furnished with an electronic lockout circuit which will connect the battery when the AC circuit is activated, and an electronic brownout circuit which will activate the unit when utility power dips below 80-85% of nominal voltage. A low voltage battery protection circuit shall be provided and will disconnect the load and circuitry from the battery when it reaches 87 1/2% of its nominal voltage. The unit shall be capable of full recharge in compliance with UL924 specifications. The unit shall be furnished with sealed dust-tight relay, a test switch and LED indicator lights.

The cabinet shall be compact size, constructed of flame retardant thermoplastic with a mist finish. Unit shall have rear keyhole mounting slots and will be designed to mount directly to any standard 4" octagonal electrical box. Unit shall be furnished with two lighting heads constructed of impact resistant, flame retardant thermoplastic complete with high intensity incandescent lamps.

Every **DM, DS Series** unit shall be fully warranted for three years, subject to proper installation and maintenance.

Unit shall be Lightalarms catalog number _____.

Ordering Information

Example: 2DS3/L5-M-TD

Series	Lamp Option	Color	Options
2DS3 = model number	/L5 = lamp option (6V 6W) *See lamp data sheet for other lamp wattages.	-M= mist	-TD = time delay *See optional features.



Thomas & Betts