

# DM, DS Series



**6 or 12 Volt Thermoplastic Emergency Unit**  
**Sealed Maintenance-Free Lead Calcium Battery**  
**UL Listed**

The **DM, DS Series**, is an excellent combination of economy and quality – the best offered in the industry. This unit is compact, lightweight and corrosion resistant.

## FEATURES

### Reliability

The **DM, DS Series** has a three-year full warranty (excluding lamps and fuses).  
**Unit Data**

Construction consists of a compact, lightweight, corrosion resistant thermoplastic cabinet with a "mist white" finish. Meets UL 94, 5VA flame classification. Both cabinets (small and large) are designed with rear keyhole mounting slots on the back plates and mount directly to any standard 4" octagonal electric box. The 6 Volt, small cabinet (DS3, DS6, DS7) is programmable for either top or side mounting of lamp heads. A 7/8" conduit entry is provided on the left side of the cabinet. The large cabinet (DS8, DS9 and D12S9) has a removable front panel and provisions for mounting up to 3 heads.

### Lamp

Thermoplastic heads can be top or side mounted (on DM or DS3, 6 and 7 only) and easily moved to either location by contractor without re-wiring.

**DM MODELS:** PAR 18 size heads (ELF 2 head type).

2DM3 has 6W high intensity incandescent lamps. 2DM6, 7, 8, 9, 12 have 9W high intensity incandescent lamps.

**DS MODELS:** PAR 36 size heads (EFL645 head type). 2DS3 has 6W high intensity incandescent lamps. 2DS6, 7, 8, 9, 12 have 9W high intensity incandescent lamps.

*Note: Tungsten halogen lamps optional.*

### Pulse Type Charger

- Automatic, temperature compensated, pulse type charger.
- High capacity, automatic, dust-tight instantaneous transfer relay.
- Low voltage disconnect prevents over discharge of battery. Automatic brownout protection is provided.
- Labor saving AC line latch prevents battery discharge during installation to a non-energized circuit.
- Fused output circuit.

### Controls

- Red charger monitor LED indicates state of charge of the battery.
- Amber AC-ON LED indicates AC power is on.
- Momentary test switch allows for quick operational check of entire system.

### Power Requirements

120/277 Vac, 60Hz, 0.3/0.15 Amp

## OPTIONS

(Add Suffix to Model No.)

	Suffix
Black Housing and Heads (small cabinet only) .....	-B
Ammeter or Voltmeter (choose only one) .....	-A or -V
Time Delay (specify 5, 10 or 15 minutes) .....	-TD
3-Wire Cord and Plug.....	-3CP*
3-Wire Cord and Plug (277V) .....	-3CP-277*

\*Standard cord is 3 ft. custom lengths available.

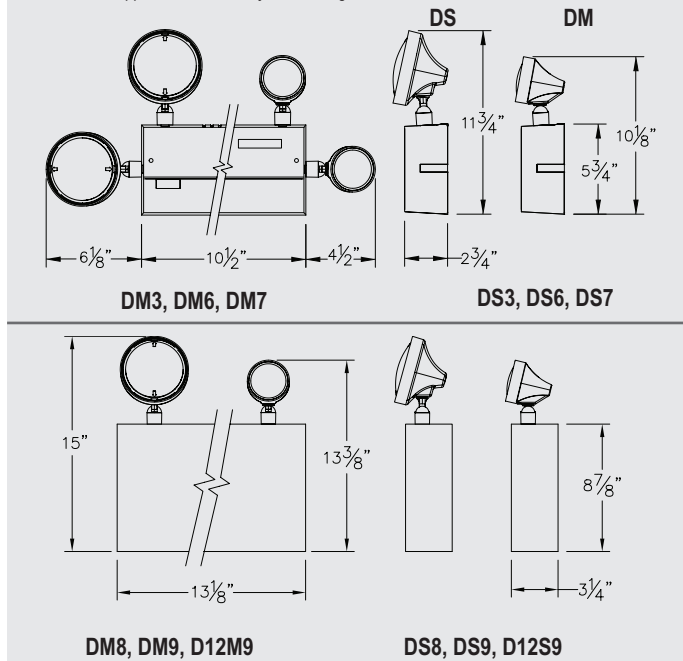
## ACCESSORIES

(Order as a separate item)

Wire Guard (Top mounted heads) .....	WG1-L
Wire Guard (Top mounted PAR 18 heads) .....	WG10-L
Wire Guard (Top mounted PAR 36 heads) .....	WG4-L
Vandal Resistant Cover.....	CPS*
Vandal Resistant NEMA-4X Cover.....	CPS-4X*

## DIMENSIONS

Dimensions are approximate and subject to change.



## UNIT RATING CHART

Volts	Model No. (unit/Lamp Suffix)	*Watts to 87-1/2% of Rated Battery Voltage	
		1 1/2 Hrs.	2 Hrs.
6	2DS3/L5-M	12	8
	2DS6/L9-M	18	12
	2DS7/L9-M	27	21
	**2DS8/L9-M	36	24
	**2DS9/L9-M	54	41
12	**2D12S9/L9-M	54	41

\*National Electrical Code Specification      \*\* Utilize Large "A" Cabinet  
 Use "M" instead of "S" for Mini Heads (ELF2 PAR18 size heads)

## ORDERING FORMAT

Model Number	Lamp Option (6V 6W) Incandescent	Colors	Option Time Delay
2DS3	/L5	-M	-TD

*For standard units without options only order Model #*      *Options are added to units by listing suffix at end of model #*