

Cavalier II Series

Decorative emergency lighting unit

IMPORTANT SAFEGUARDS

When using electrical equipment, basic safety precautions should always be followed including the following:

READ AND FOLLOW ALL SAFETY INSTRUCTIONS

1. Do not use outdoors.
2. Do not let power supply cords touch hot surfaces.
3. Do not mount near gas or electric heaters.
4. Use caution when handling batteries. Avoid possible shorting.
5. Equipment should be mounted in locations and at heights where it will not readily be subjected to tampering by unauthorized personnel.
6. The use of accessory equipment not recommended by the manufacturer may cause an unsafe condition.
7. Do not use this equipment for other than intended use.
8. All servicing should be performed by qualified service personnel.

SAVE THESE INSTRUCTIONS

Installation Instructions

1. Turn off AC power.
2. Remove backplate from carton.
3. Choose the proper mounting solution below and continue to step 4.

Standard electrical box mounting

- a. Knock out desired mounting holes from pattern in backplate, taking care to support plastic adjacent to the hole.
- b. Locate the AC connector (see fig. 1). Route the AC wires, on the male side, through the large hole in the backplate and attach to the unswitched AC circuit. Make the connections in the electrical box. Our unit accepts an input voltage of 120 VAC or 277 VAC (see fig. 2).

120 VAC — Connect the black wire (120 VAC) and white (neutral) to the building utility. Insulate the orange wire.

277 VAC — Connect the orange (277 VAC) and white (neutral) to the building utility. Insulate the black wire.

- c. Mount backplate to the junction box using the junction box screws (see fig. 3). Push the excess wires through the large knockout in the backplate into the junction box.

Flexible conduit entry mounting

- a. Mount backplate to the wall using the two keyhole slots provided (see fig. 4). Route flexible conduit into 7/8" hole at the top, and secure with appropriate connector.

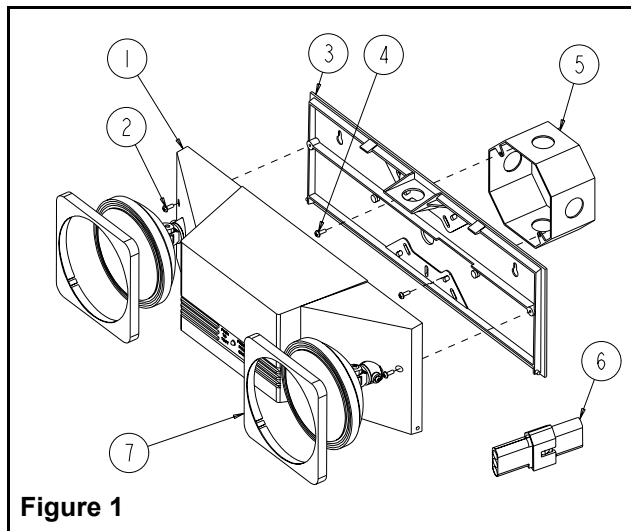


Figure 1

Part List

- | | |
|---------------------------------------|--------------------------------|
| 1. Front cover with heads | 5. Junction box (not provided) |
| 2. Securement screw (2) | 6. AC Connector |
| 3. Backplate | 7. Square head trim (2) |
| 4. Junction box screws (not provided) | |

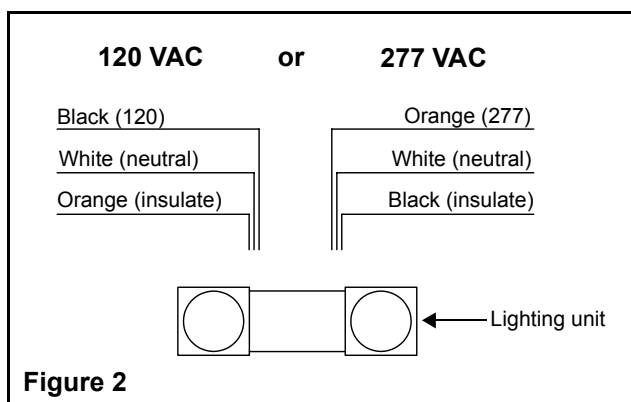


Figure 2

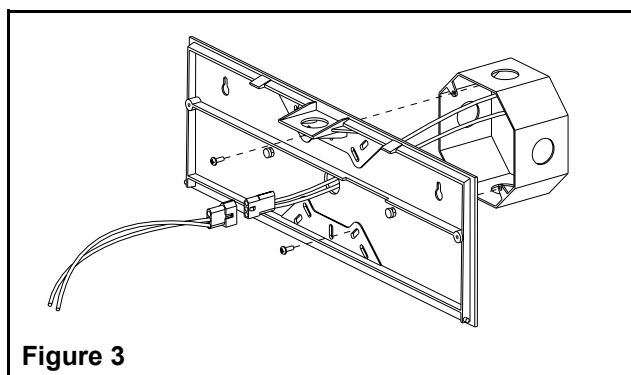
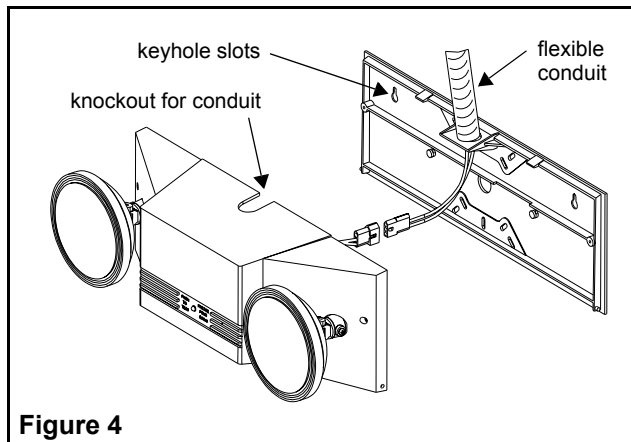


Figure 3

- b. Attach AC connector to service wires as described above and on figure 2. Break out knockout in top face of front cover to clear conduit.
4. When ready for final installation, connect red battery wires.
5. With AC service off, snap backplate into front cover to form hinge and attach nylon straps to buttons on the backplate (see fig. 5). Connect AC connectors.
6. For units with remote capability, connect to pigtails from PCB.
7. Close unit, taking care not to trap wires, and secure with the two securement screws provided.
8. Position heads as desired. Attach square head trims by snapping over lenses (see fig. 5).
9. Energize AC.

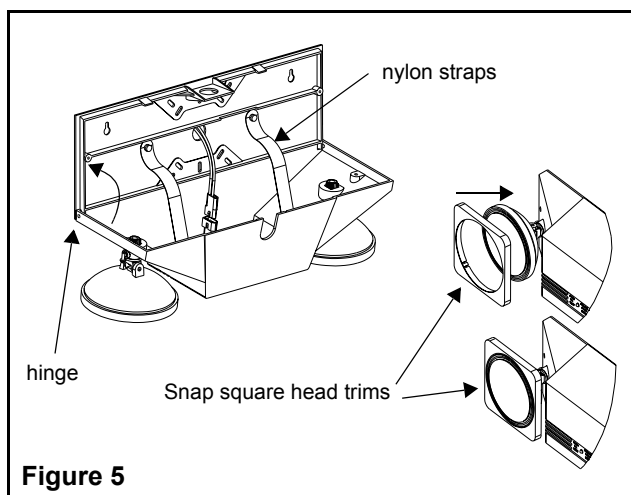

Figure 4

Testing

Depress test switch (see fig. 6). Emergency lamps will illuminate. Release test switch, lamps will extinguish and unit will return to normal standby operation. Allow unit to charge for 24 hours before initial full duration testing.

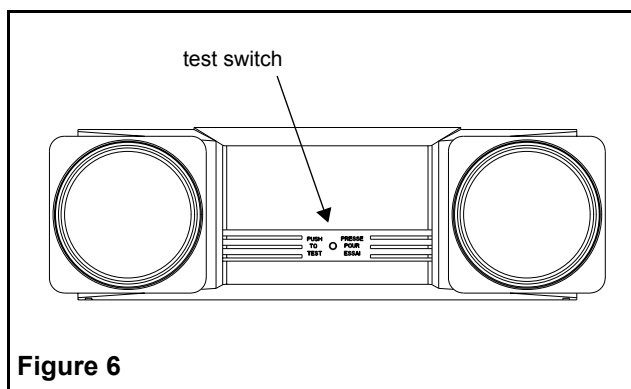
Important notice

This equipment is fitted with a labor-saving AC-activated switch which enables the battery to be connected to a unit to which there is no AC service without the unit discharging. After the AC service has been connected, it will illuminate on the next power failure or test switch operation. This unit is fitted with a low battery disconnected circuit to prevent possible damage to the battery by prolonged discharge.


Figure 5

Maintenance

None required. Unit should be tested monthly in accordance with the requirements of NFPA 101, Life Safety Code, or local codes. If the AC supply to the unit is to be disconnected for two months or more, the battery must be disconnected.


Figure 6