



SERIES CAVALIER II

TYPE: _____
 CATALOGUE #: _____
 NOTES: _____



Decorative Style Equipment 6 Volt Maintenance-Free Lead Calcium Battery

**NOW AVAILABLE WITH
 HALOGEN LAMPS**

Shown with Halogen Lamps Option



Application Aesthetical, economical unit ideal for commercial or institutional facilities. Unit offers easy installation and reliable performance in a compact, contemporary design.

Features

- **CONSTRUCTION:** Injection molded from high impact, scratch and corrosion resistant thermoplastic in an architecturally attractive mist white color.
- **SUITABLE FOR DAMP LOCATIONS**
- **QUICK AND EASY INSTALLATION:** Easily mounts to wall or ceiling with independent, universal mounting plate. AC and battery quick connect plugs simplify wiring for quick and easy installation.
- **ELECTRONICS:**
 - Automatic, temperature compensated, pulse type charger.
 - Low voltage disconnect prevents overdischarge of battery. Automatic brown out protection is provided.
 - High capacity, automatic, dust-tight instantaneous transfer relay.
 - Labor saving AC line latch prevents battery discharge during installation to a non-energized circuit.
- **INSTRUMENTATION:** Combination test switch/charge monitor LED indicates battery is on charge and allows for periodic testing of the unit
- **POWER REQUIREMENTS:** Maximum 10W at 120/277Vac.

Battery

6V, maintenance-free, sealed Lead Calcium. Optional 6V maintenance-free sealed Nickel-Cadmium battery available.

Lamp Heads

Standard with two fully adjustable PAR 36 size lamp heads furnished with high intensity incandescent lamps or optional halogen lamps.

CA-2 is available with optional 6W halogen lamp.

CA-3 is available with optional 6, 8 or 10W halogen lamp.

Options

(Add Suffix to Model No.)	Suffix
Black Finish	-B
Self Diagnostics	-SD
Voltmeter (not available with diagnostics)	-V
Cord and Plug	-3CP
6W halogen lamp	/LH4
8W halogen lamp	/LH5
Nickel-Cadmium battery	-N
(not available with self diagnostics)	
Damp location listed	-DL

Accessories

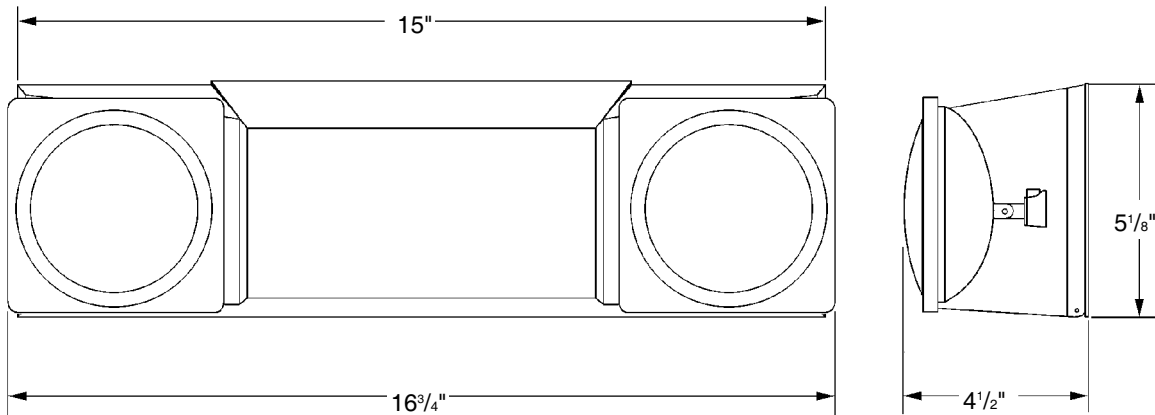
(Order as a separate item.)	Model
Guard	WG16-L
Polycarbonate Shield	CPS
Poly. Weatherproof Shield	CPS-4X

Note: Certain option combinations may affect the listing. Please contact the factory for specifics.

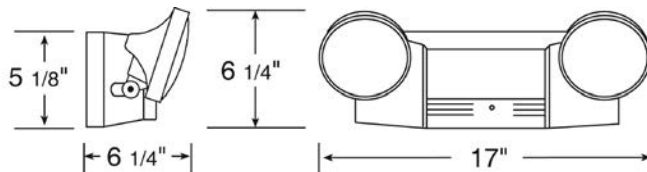
Unit Selection Chart

Volts	Model No.	Capacity in Watts to 87 1/2 % of Nominal Battery Voltage		Standard Lamps		
		1 1/2 Hrs.	2 Hrs.	Watts/Head	Type	Lamp Rplc. No.
6	CA-2	12	8	6	Incand.	570.0012
	CA-3	20	17	6	Incand.	570.0012

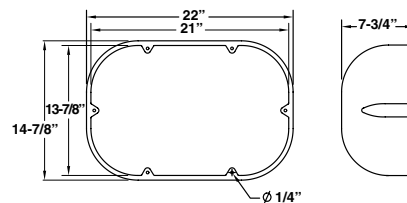
Specifications For Model CA-2 & CA-3



CAVALIER WITH HALOGEN LAMPS



POLYCARBONATE SHIELD Catalog Number: CPS or CPS-4X (NEMA-4X)



GENERAL: The contractor shall furnish and install 6V emergency lighting units, as indicated on all plans. Input power shall be 120/277Vac 60 Hz.

HOUSING: The battery and all components shall be housed in a compact case injection molded from high impact mist white thermoplastic material.

LAMP HEADS: The unit shall be provided with two PAR 36 size lamp assemblies constructed of high impact thermoplastic material, with access to lamp for replacement, and finished in a color to match the unit. The heads shall be fully adjustable horizontally and vertically.

BATTERY: Unit shall contain a 6V sealed, maintenance-free lead calcium battery. To prevent loss of electrolyte through gassing, the battery shall operate by the principal of electrolyte recombination. Capacity shall be as shown in Unit Selection Chart.

TRANSFER: A heavy duty dust-tight transfer relay shall automatically and instantaneously connect the DC lamp load to the battery upon failure of the normal AC supply, and shall disconnect the lamps when normal power is restored.

CHARGER ASSEMBLY: An automatic, temperature compensated, solid-state charger circuitry shall be provided. The charger shall be reverse polarity protected and capable of recharging the battery in accordance with UL 924.

A low voltage disconnect shall be provided to shut off the lamp load and circuitry when battery reaches 87 1/2% discharge to protect battery from possible damage due to deep discharge. **Brownout circuit** shall be provided which activates emergency mode when AC power dips below 80-85% of nominal voltage. **AC line latch** circuit shall be provided which prevents battery discharge during installation to a non-energized circuit.

CONTROLS: Combination test switch/charge monitor LED shall be provided to indicate battery is on charge and allow for periodic testing of the entire system.

WARRANTY: Entire unit (less lamps and fuses) shall carry a three (3) year full warranty against defective parts and improper workmanship under normal operating conditions. The battery shall be warranted for an additional three (3) years on a pro-rata basis.

MANUFACTURER:

Unit shall be Lightalarms Model _____

Ordering Information

Example: CA-2-DL

Series	Capacity Indicator	Options
CA= series	-2=	-DL= damp location



Thomas & Betts