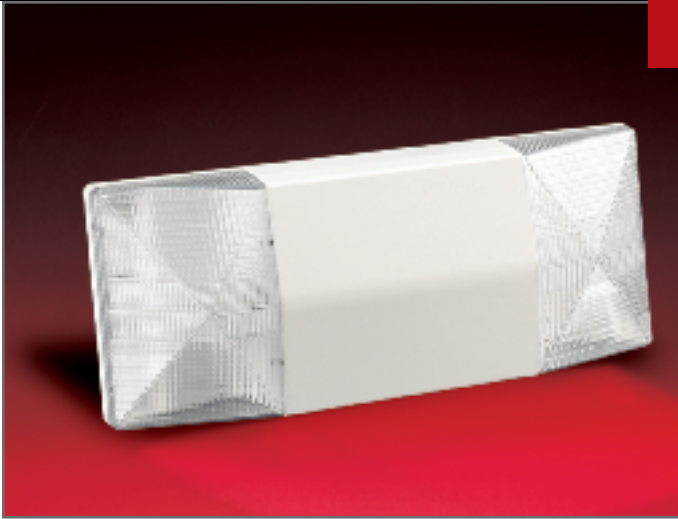


■ IC-2 Series



6 Volt Ultra-Slim Emergency Unit
Sealed Maintenance-Free Lead Calcium Battery
UL Listed
Damp Location Listed

The **IC-2 Series**, is an aesthetically attractive, economical unit ideal for commercial or institutional facilities. This unit offers reliable performance in a low profile, contemporary design.

□ FEATURES

Reliability

The **IC-2 Series** has a three-year full warranty (excluding lamps and fuses).

Unit Data

The compact, ultra-slim housing and prismatic lenses are constructed of an injection-molded, tough thermoplastic body that will not scratch or corrode. It has a lightly textured "mist white" finish that blends well with any decor. All units come with a pre-wired AC to save time and installation costs. Simply wire the mounting plate to the building AC and secure. Then, using the AC quick connect plug, snap the housing onto the mounting plate and the unit is ready to be powered. Attractive and versatile, the IC-2 Series battery units can be mounted in any orientation on walls and ceilings.

Lamp

Standard with two 6-watt, high intensity, wedge base incandescent lamps.

Charger

- Automatic, temperature compensated, charger.
- High capacity, automatic, dust-tight instantaneous transfer relay.
- Low voltage disconnect prevents over discharge of battery.
- Automatic brownout protection.
- Labor saving AC line latch prevents battery discharge during installation to a non-energized circuit.

Controls

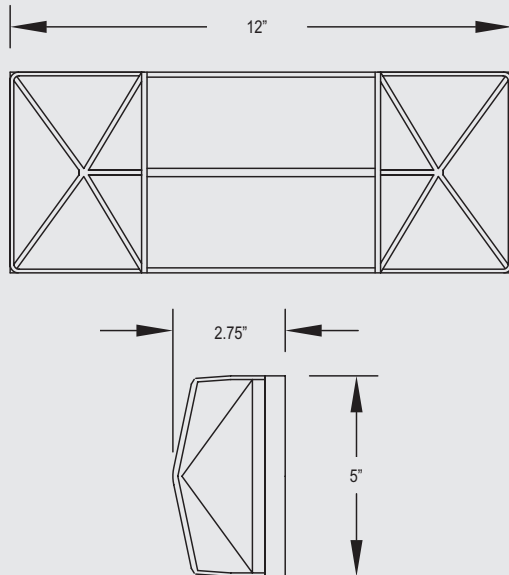
- Red charger monitor LED indicates state of charge of the battery.
- Momentary test switch allows for quick operational check of entire system.

Power Requirements

120/277Vac 60Hz, 0.08/0.04 Amp

□ DIMENSIONS

Dimensions are approximate and subject to change.



□ ORDERING FORMAT

IC-2

Series

□ ACCESSORIES

(Order as a separate item)

Wire GuardWG13-L

□ UNIT RATING CHART

| Volts | Model No. | *Watts to 87-1/2% of Rated Battery Voltage | |
|-------|-----------|--|--------|
| | | 1 ^{1/2} Hrs. | 2 Hrs. |
| 6 | IC-2 | 12 | 8 |

* National Electrical Code Specification