

Signature Series - Self-Powered Pot-Lite

IMPORTANT SAFEGUARDS

When using electrical equipment, basic safety precautions should always be followed including the following:

READ AND FOLLOW ALL SAFETY INSTRUCTIONS

1. Do not use outdoors.
2. Do not let power supply cords touch hot surfaces.
3. Do not mount near gas or electric heaters.
4. Use caution when handling batteries. Avoid possible shorting.
5. Equipment should be mounted in locations and at heights where it will not readily be subjected to tampering by unauthorized personnel.
6. The use of accessory equipment not recommended by the manufacturer may cause an unsafe condition.
7. Caution: If optional Halogen cycle lamp(s), symbol (H—), are used in this equipment, to avoid shattering: do not operate lamp in excess of rated voltage, protect lamp against abrasion and scratches and against liquids when lamp is operating, dispose of lamp with care.
8. Halogen cycle lamps operate at high temperatures. Do not store or place flammable materials near lamp.
9. Do not use this equipment for other than intended use.
10. All servicing should be performed by qualified service personnel.

SAVE THESE INSTRUCTIONS

Installation Instructions

1. Turn off AC power.
2. Carefully unpack the emergency lighting unit. Set the light unit aside when installing the back box.
3. Remove the junction box cover by releasing the spring. Break the appropriate knockout for AC supply on the back box (see fig. 2).

Choose the proper mounting solution: new sheet rock construction or suspended ceiling. Follow the proper mounting section and continue the installation at step 4.

New sheet rock construction

- a. Slide the hanger bars through the tabs on the back box. For each side, first slide the bar that has two small arrows at its end facing outside the box. Then slide the one with a long slot on top of the first one. The two arrows should go through the long slot on the second bar. Place the assembly between the framing members. Align the open round surface of the box where the finished surface of sheet rock will be and nail bars to the framing members (see fig. 3).

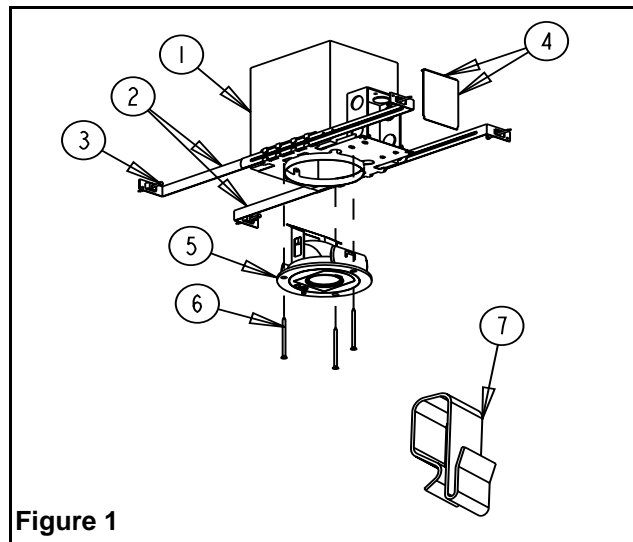


Figure 1

Part List

- | | |
|-----------------------|-------------------------------|
| 1. Back box | 5. Light unit |
| 2. Hanger bars | 6. Self-drilling screw (3) |
| 3. Hanger bar nail | 7. Suspended ceiling clip (4) |
| 4. Junction box cover | |

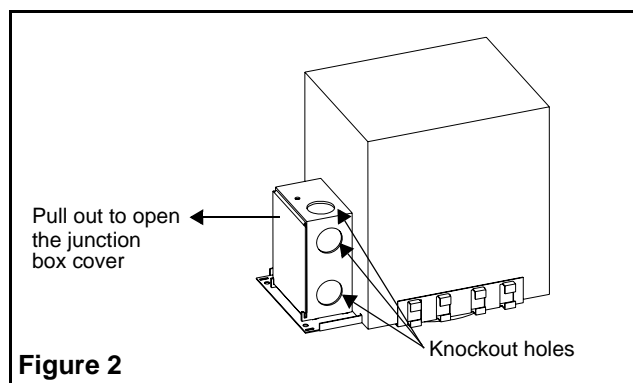


Figure 2

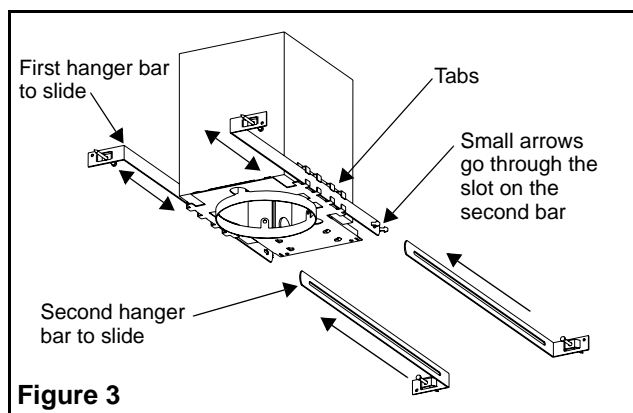


Figure 3

Suspended ceiling

- a. Remove the four hanger bar nails.
 - b. Slide the hanger bars through the tabs on the back box (see fig. 3). For each side, first slide the bar that has two small arrows at its end facing outside the box. Then slide the one with a long slot on top of the first one. The two arrows should go through the long slot on the second bar. Place assembly on top of grid members.
 - c. Place 4 clips on the "T-bars" (grid members) where the hanger bars will snap (see fig. 4).
 - d. Snap the hanger bars in the clips.
4. Carefully measure the position of the light. Cut a 4 1/4" diameter hole in desired location in the sheet rock or ceiling panel (outer lip of box may serve as a template).
 5. Route unswitched AC circuit of rated voltage into the back box (in one of the knockouts), leaving approximately 6" of wire length.
 6. Make the proper connections. Our system can accept input voltages of 120 VAC or 277 VAC (see fig. 5).
120 VAC — Connect the black (120 VAC) and white (Neutral) leads to the building utility.
277 VAC — Connect the orange (277 VAC) and white (Neutral) leads to the building utility.
Note — Insulate any other unused wire. It is recommended to attach the wires together before pushing them inside the junction box, to keep them as far away from the light unit as possible.
 7. Re-install the junction box cover. Make sure any connected wires are not in the way where the light unit will be inserted.
 8. Place the sheet rock or ceiling panel in position.
 9. When ready to permanently energize AC circuit, plug polarized battery connector to the light unit.
 10. To install the light unit, first look inside the hole in the ceiling, there are three tabs just above the round lip. Use the tab that is centered in the box as a reference (the one further from the two others) as shown in figure 6. Then, on the light unit, locate the trimplate hole that is the closest to the spring blade. Align this hole to the opposite side of the center tab in the back box. Squeeze the two spring blades to insert the light into the back box until it snaps.
 11. Use the three self-drilling screws to fix the light in this position, starting with the screw shown in fig. 6. For suspended ceilings, hold box in place by removing an adjacent ceiling panel.
 12. Energize AC circuit. Pilot light will come on.

Light adjustment

The light unit can rotate 360 degrees horizontally and be pulled out 90 degrees vertically. To rotate, pull out the light approximately 45 degrees and then rotate it. When you reach the desired horizontal orientation, you can pull the light completely out, 90 degrees.

Testing

Depress test switch (see fig. 7). The fixture will illuminate. Release test switch. The fixture will extinguish and pilot light will be illuminated. Prior to initial full load testing, unit should be connected to AC service for 24 hours to allow the battery sufficient time to recharge.

Maintenance

None required. The unit should be tested monthly in accordance with local codes and the life safety code. If the AC supply to this unit is to be disconnected for two months or more, the battery must be disconnected.

