



RSTH DECORATIVE SERIES

TYPE: _____
CATALOGUE #: _____
NOTES: _____



RSTH Decorative Series Self-Powered Recessed Down Light



General Information

Lightalarms RSTH Decorative Series™ self-powered down light is a new generation in high-tech power disruption lighting protection. Utilizing state-of-the-art MR16 halogen lamps and industry-leading battery and wiring technology, the new Lightalarms self-powered down light packages these robust, industrial-strength qualities into a decorative, easy-to-install fixture that is a unique combination of safety and style.

Perfect for any commercial or high-end interior that calls for looks as well as capability, the Lightalarms RSTH Decorative Series™ self-powered down light features everything you could want in decorative emergency lighting, including:

- Listed to UL 924 standard
- Long life Nickel-Cadmium battery
- Low voltage disconnect circuit
- Sealed dust proof transfer relay
- Brownout protection
- Temperature compensated charger
- Standard with 6V, 6W, MR16 Halogen lamp
- AC "ON" LED test switch
- Furnished standard with bar hanger kit

No matter what the job, Lightalarms has the fixture to fit your budget, your code requirements, and your client's idea of an attractive decor. Take a look at the adjoining specs and then talk to your distributor about the Lightalarms RSTH Decorative Series™ model that's right for you.

Electrical

Operation

Operation is completely automatic. A brownout sensitive transfer circuit automatically connects the emergency lamp upon either complete loss of normal AC power or when the AC voltage drops down to a point where normal AC lighting will not function. The unit also monitors DC battery voltage and disconnects the lamps before the battery can go into deep discharge (in conditions of extended power failures). When the AC power is restored the circuit automatically returns the battery to full charge in 24 hours, and monitors the battery to maintain full charge.

Charger

Electrical power requirements:

120 V, 60 Hz, 0.046 A, 4.17 W

277 V, 60 Hz, 0.024 A, 4.76 W

Transfer: Dust tight relay automatically and instantly energizes lamp load upon failure of AC supply. Battery protection circuit automatically shuts down lamp load when battery reaches 87 1/2% of it's rated voltage.

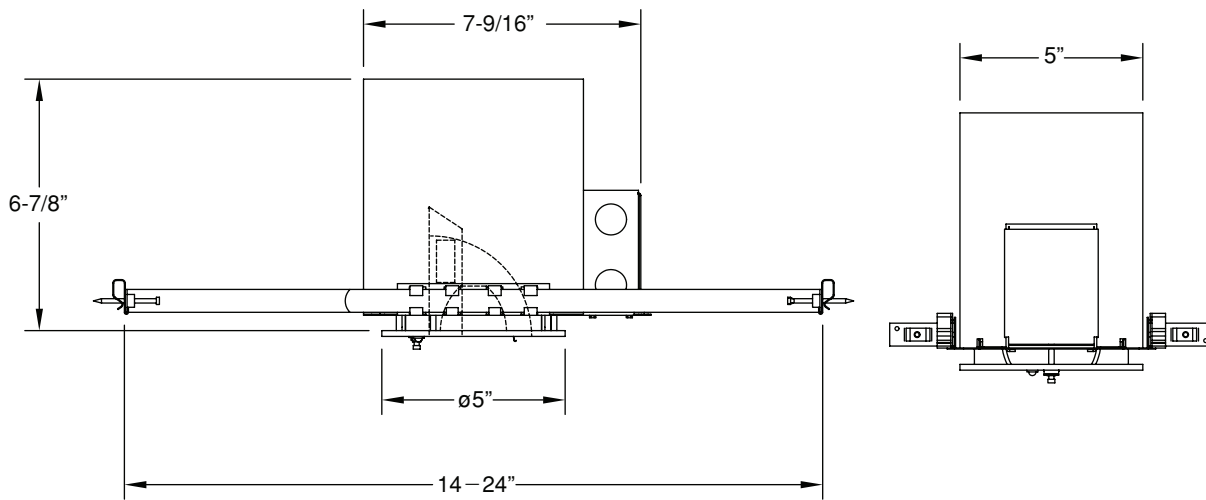
Charger is 100% solid state.

Battery

The **self-powered RSTH Decorative series down light** contains a long-life Nickel-Cadmium battery with a life expectancy of ten years. This battery will operate in extreme temperature ranges without experiencing the dry out problem sometimes associated with a plastic case battery design. At low temperatures the low internal resistance of the cell minimizes internal voltage drop. The low self discharge rate reduces capacity loss during shipment and storage.

Specifications For Series RSTH Decorative

RSTH Decorative Series including back box



Suggested Specification

Emergency lighting unit

The contractor will supply and install Lightalarms self-powered model RSTH_____SP-U recessed emergency lighting unit. The recessed gimbal will be constructed of a durable, powder coated, die cast aluminum and use a MR16 lamp source powered by a sealed Nickel-Cadmium battery with an expected life of 10 years. The unit will be furnished with a metal, fully recessed backbox to house the electronics, battery and all associated wiring.

The light source shall be adjusted by rotating the gimbal through 359° in azimuth and or positioning the lamp through 90° in pitch.

The light source will be 6 volts 6 watts MR16 halogen lamp. The emergency lighting fixture will provide illumination in the emergency mode directly from the internally mounted Nickel-Cadmium battery. The duration of operation provided by the Nickel-Cadmium battery will be minimum 90 minutes as required by NFPA 101 Life Safety Code.

Ordering Information

Example: RSTHWHSP-U

Series	Color	Standard Catalogue Construct	Model
RSTH= series	WH = white BK = black BN = brushed nickel CH = chrome PB = polished brass	SP = self-powered	U = USA model

Replacement lamp number: 580.0074-L 6V 6W

Accessories

Remote Test Switch PSW

*Unit Warranty

Entire unit (excluding lamps and fuses) carries a 3-year Full Warranty.

*Battery Warranty

Sealed Nickel-Cadmium: 10-year life expectancy, 5-year Full Warranty, plus 5-year pro rata warranty.

**Subject to proper installation and maintenance.*



Thomas & Betts