

RD Series

Recessed steel housing
6V up to 36W, 12V up to 36w capacities



Housing

- Steel housing
- Standard off-white finish, optional black finish
- Lighting heads, available in thermoplastic or decorative die-cast aluminum
- Choice of MR16 LED lamp wattages

Mounting

- Fully recessed ceiling or wall-mount
- Hanger bars included for lay-in installation in T-bar grid
- Suitable for sheet rock installation

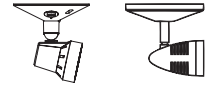
Electronics

- Pulse plus charger
- Low voltage disconnect
- Automatic brownout protection
- Battery lock-out
- Fused output circuit
- Optional: Improved Diagnostics
- 120/277 60Hz

Photometric performance

Lamp	Spacing center-to-center (feet)	
	7 feet mounting height	15 feet mounting height
LD1	43'	36'
LD7	55'	43'
LD9	71'	56'
LD10	100'	85'

See lamp table



Available Head Style Choices: ELF3 DR130
Head Style Suffix: /E3 /D1

Choice of Sealed Maintenance-Free Battery

- 6V or 12V Lead-Calcium battery
- 6V or 12V Nickel-Cadmium battery

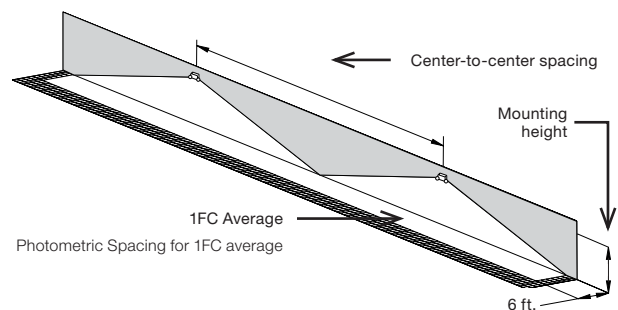
Approvals

- UL 924 listed
- New York City Approved

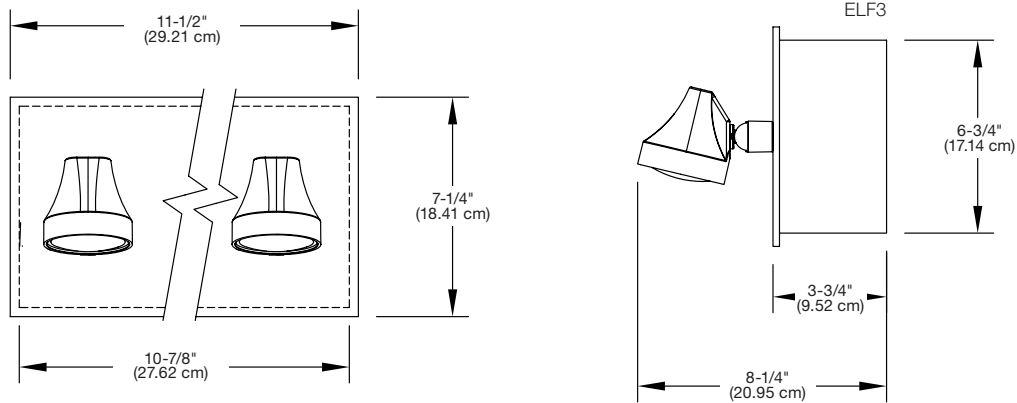
Warranty (subject to proper installation and maintenance)

Unit: five-year limited warranty

Detailed warranty terms located on **page 182** or online at: www.lightalarms.com



Dimensions (Dimensions are approximate and subject to change)



Power consumption chart

Series	Battery	Voltage	DC Specs				AC Specs	
			Battery capacity (in watts)				Units dual voltage ¹	Current Maximum
			90 Mins	2 Hrs	3 Hrs	4 Hrs		
RD6M1	Lead-Calcium	6V	18	12	0	0	120VAC 277VAC	0.3A 0.15A
RD6M2	Lead-Calcium	6V	27	18	14	10		
RD6M3	Lead-Calcium	6V	36	25	20	14		
RD12M3	Lead-Calcium	12V	36	25	20	14		
RD6C1	Nickel-Cadmium	6V	18	18	0	0		
RD6C2	Nickel-Cadmium	6V	25	18	12	9		
RD12C3	Nickel-Cadmium	12V	36	21	15	12		
RD12C4	Nickel-Cadmium	12V	50	36	25	18		

¹ All units 120/277 dual voltage, information based on wiring to specific voltage type

Accessories (Order as a separate item)

Description	Product code
Wire Guard (DR130 or ELF3 heads)	WG6-L
Remote Test Switch (Metal Faceplate)	PSW
Remote Test Switch (Plastic Faceplate)	PSW-1

Ordering format

Number of heads	Series/Battery/Capacity	Head style	Lamp type	Options
Blank = No heads	Lead-Calcium Battery	/E3 = ELF3 (MR16, Plastic)	LD1 = 6V-4W MR16 LED	Blank = Mist white housing, no options
1 = 1 head	RD6M1 = 6V-18W	/D1 = DR130 (MR16, Metal)	LD7 = 12V-4W MR16 LED	-B = Black Housing
2 = 2 heads	RD6M2 = 6V-27W		LD9 = 12V-5W MR16 LED	-ID = Improved Diagnostics (audible) ¹
	RD6M3 = 6V-36W		LD10 = 12V-6W MR16 LED	-IDNA = Improved Diagnostics (non audible) ¹
	RD12M3 = 12V-36W			-T3 = Time delay (15 minutes)
	Nickel-Cadmium Battery			
	RD6C1 = 6V-18W			
	RD6C2 = 6V-25W			
	RD12C3 = 12V-36W			
	RD12C4 = 12V-50W			

Example: RD12M3/DR130LD9-IDNA

¹ Minimum lamp load required: 20% of unit capacity