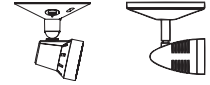


TBR Series

Recessed steel housing

6V up to 81W, 12V up to 110W, 24V up to 110W capacities



Available Head
Style Choices:

ELF3

DR130

Head Style Suffix:

/E3

/D1

Housing

- Steel housing
- Standard off-white finish, optional black finish
- Lighting heads, available in thermoplastic or decorative die-cast aluminum
- Choice of MR16 LED lamp wattages

Mounting

- Fully recessed ceiling
- Hanger bars included for lay-in installation in t-bar grid

Electronics

- Pulse plus charger
- Low voltage disconnect
- Automatic brownout protection
- Battery lock-out
- Fused output circuit
- Optional: Improved Diagnostics
- Optional: Nexus® monitoring system
- 120/277 60Hz

Choice of Sealed Maintenance-Free Battery

- 6V, 12 or 24V Lead-Calcium battery
- 6V or 12V Nickel-Cadmium battery

Approval

- UL 924 Listed
- New York City Approved

Warranty (subject to proper installation and maintenance)

Unit: five-year limited warranty

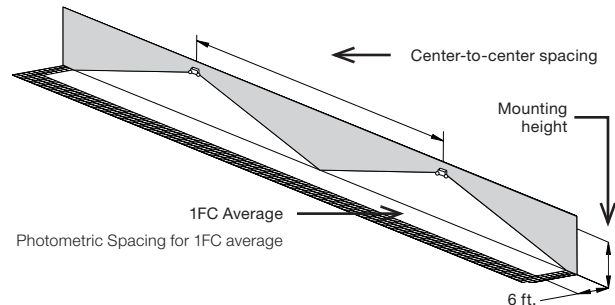
Detailed warranty terms located on **page 182** or online at: www.lightalarms.com

nexus

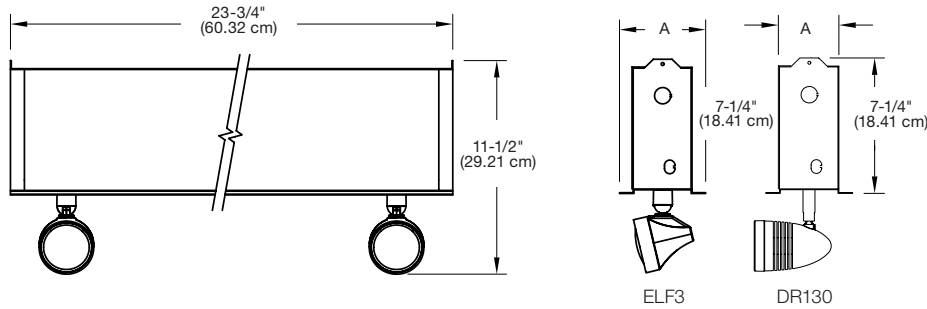


Photometric performance

Lamp	Spacing center-to-center (feet)	
	7 feet mounting height	15 feet mounting height
LD1	43'	36'
LD7	55'	43'
LD9	71'	56'
LD10	100'	85'
LD13	56'	44'
LD14	100'	85'



Dimensions (Dimensions are approximate and subject to change)



Cabinet dimensions

Units	Cabinet	A
54W and under	S	4-5/8"
81W and higher	L	7-1/8"

Power consumption chart

Series	Battery	Voltage	DC Specs				AC Specs	
			Battery capacity (in watts)				Units dual voltage ¹	Current Maximum
			90 Mins	2 Hrs	3 Hrs	4 Hrs		
TBRC0	Lead-Calcium	6V	18	12	0	0		
TBRC1	Lead-Calcium	6V	27	18	14	10		
TBRC5	Lead-Calcium	6V	36	25	20	14		
TBRC2	Lead-Calcium	6V	54	37	28	21		
TBRC3	Lead-Calcium	6V	81	54	42	30		
T12BRC0	Lead-Calcium	12V	54	37	28	21		
T12BRC1	Lead-Calcium	12V	110	72	56	40	120VAC 277VAC	0.3A 0.15A
T24BRC1	Lead-Calcium	24V	110	72	56	40		
TRBC1	Ni-Cd with option (-N)	6V	18	12	0	0		
TRBC2	Ni-Cd with option (-N)	6V	25	18	12	9		
T12BRC1	Ni-Cd with option (-N)	12V	36	21	15	12		
T12BRC2	Ni-Cd with option (-N)	12V	50	31	25	18		

¹ All units 120/277 dual voltage, information based on wiring to specific voltage type

Accessories (Order as a separate item)

Description	Product code
Remote Test Switch (Metal Faceplate)	PSW
Remote Test Switch (Plastic Faceplate)	PSW-1

Ordering format

Number of heads	Series/Battery/Capacity	Head style	Lamp type	Options
Blank = No heads	Lead-Calcium Battery	/E3 = ELF3 (MR16, Plastic)	LD1 = 6V-4W MR16 LED	Blank = Mist white housing, no options
1 = 1 head	TBRC0 = 6V-18W	/D1 = DR130 (MR16, Metal)	LD7 = 12V-4W MR16 LED	-ID = Improved Diagnostics (audible) ¹
2 = 2 heads	TBRC1 = 6V-27W		LD9 = 12V-5W MR16 LED	-IDNA = Improved Diagnostics (non audible) ¹
3 = 3 heads	TBRC5 = 6V-36W		LD10 = 12V-6W MR16 LED	-NEX = Nexus [®] wired Compatible ² (consult your sales representative)
	TBRC2 = 6V-54W		LD13 = 24V-4W MR16 LED	-NEXRF = Nexus [®] wireless Compatible ² (consult your sales representative)
	TBRC3 = 6V-81W		LD14 = 24V-6W MR16 LED	-B = Black housing
	T12BRC0 = 12V-36W			-TD15 = Time delay (15 minutes)
	T12BRC2 = 12V-54W			-N = Nickel-Cadmium battery
	T12BRC1 = 12V-110W			
	T24BRC1 = 24V-110W			
	For Nickel-Cadmium Battery (must include option -N)			
	TRBC1 = 6V-18W			
	TRBC2 = 6V-25W			
	T12RBC1 = 12V-36W			
	T12RBC2 = 12V-50W			

Example: 2TBRC2/D1LD1-ID

¹ -Minimum lamp load required: 20% of unit capacity. Not available with 100W N-Cd 24V. Should also apply to NEX and NERF.

² -NEX & -NEXRF is CSA-US approved only.