



# Severe<sup>TM</sup> XV Series NEMA 4X Combo Unit

Emergency Lighting  
for Harsh Environment  
Applications



NEMA 4X



idEXIT  
Improved diagnostics



# Severe XV Series

## NEMA 4X Combo Unit

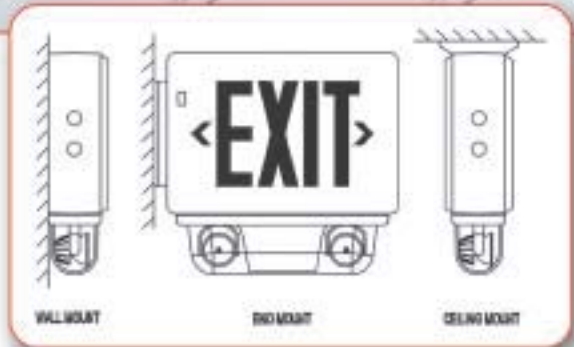
Lightalarms is pleased to introduce a design-driven concept combining sleekness of lines with unending performance – the NEMA 4X-rated **Severe™ XV Series**

**Combo Unit.** The heavy-duty housing is sealed and gasketed to withstand moisture, dust and corrosion. The faceplate(s) are constructed of heavy-duty vandal-resistant polycarbonate and features an even illuminated, high efficiency (ALINGAP) LED legend. Fully automatic, self-diagnostic charger will monitor and indicate a fault for battery, charger, lamps and LED failure. The innovative, fully adjustable lamp holding head assembly offers the option of selecting either an MR16 lamp or a high efficiency 5-Watt MR16 white LED lamp source for an impressive illumination over the path of egress.

The ultimate emergency lighting solution, the **Severe Combo Unit** is designed for use in a wide range of applications. Though it is visually appealing, its robust housing is ideal for light- and heavy-duty industrial applications as well as commercial environments. The unit can withstand hosedown test where a 1-inch diameter hose nozzle delivers at least 65 gallons (246L) of water per minute directed at the unit from a distance of 10-12 feet. It is listed for wet, damp and cold locations of -40°C (-40°F). It is ideally suited for food processing/preparation facilities, schools, parking garages, public areas, transit platforms and security areas/prisons. The **Severe Combo Unit** will provide 90 minutes of illumination for rated wattage upon loss of AC power.

### Unit Data

The rugged PVC body will not dent, peel or corrode. The sealed faceplate is constructed with a heavy duty, vandal-resistant polycarbonate cover and fastened with stainless steel tamper-resistant screws. The test switch is magnetically operated. Models can be wall, end or ceiling mounted. The innovative, fully field adjustable lamp head assembly offers the option of selecting either an MR16 lamp or a high efficiency 5-Watt, white LED light source for optimum illumination over the path of egress.



### Standard Features

- UL Listed, complies with NEC, Life Safety Code and OSHA
- NEMA 4X, UL924, NSF
- Damp and wet locations
- Field adjustable, highly efficient MR16 lamps up to 12V, 12W
- Uniform (ALINGAP) LED illuminated legend is Energy Star compliant
- Universal mounting: wall, end or ceiling
- Continuous self-diagnostic monitoring and monthly self-testing
- Fully automatic charger is solid state
- Sealed, maintenance-free nickel cadmium battery
- Non-intrusive magnetic test switch
- Choice of colors: black, white or gray
- Reliability: 5-year limited warranty
- Tamper-proof bit and screws
- 90 minutes illumination in emergency mode

### Optional Features

- Double face
- Cold weather -40°C (for use with 6V - 12W single face only)
- LED MR16 emergency light based on 3 Watt white power LEDs
- No heads (for remote capacity) (6V units - 12W) (12V units - 24W)
- Fire alarm activated flasher
- Custom word and lettering - Consult factory
- Flasher/Buzzer (AC power failure)
- Flasher (AC power failure)
- TPB (Tamper-proof bit) to order an extra set
- Pendant Mount - Consult factory



**NEMA 4X**



**idEXIT**  
Improved Diagnostics

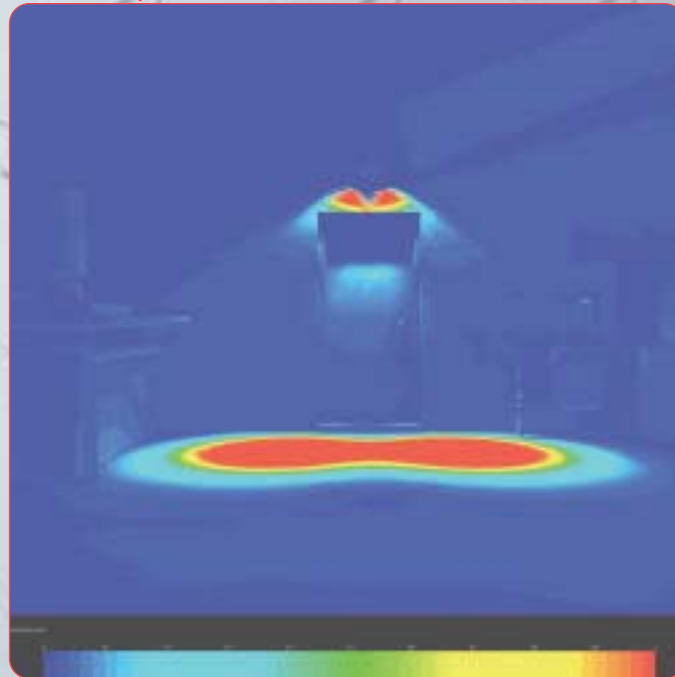




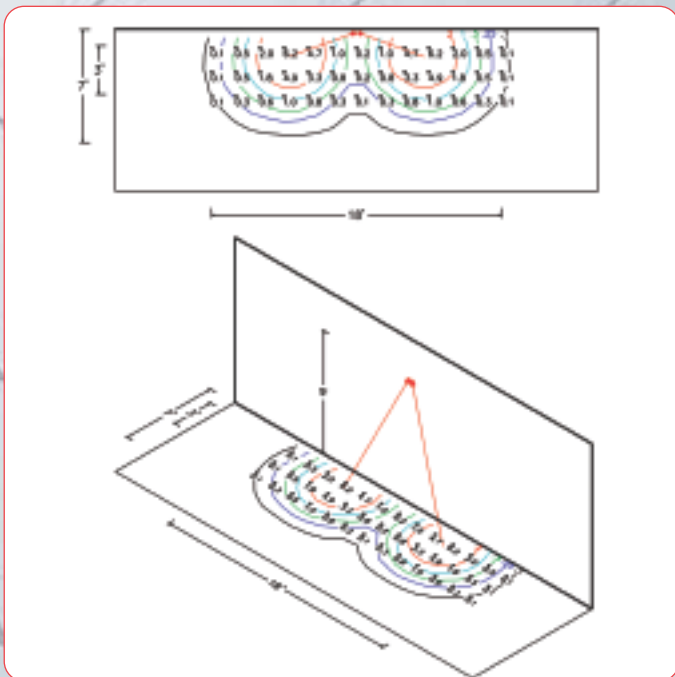
**Photometrics** [showing 12V12W MR16 lamps]



3D IMAGE LIGHTING RENDERING OF THE **SEVERE™** UNIT IN AN EMERGENCY MODE SETTING



3D LIGHT LEVEL COLORED SCALE IMAGE OF 0 TO 1 FOOT -CANDLE OF THE **SEVERE™** UNIT



ISO CURVE ON A POINT-BY-POINT GRID OF A SINGLE **SEVERE™ XV SERIES** COMBO UNIT



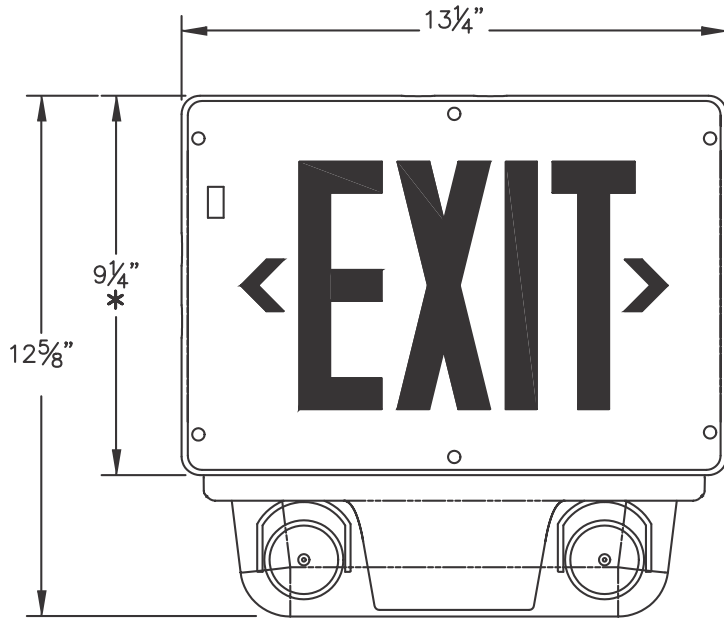
3D IMAGE OF THE **SEVERE™** UNIT IN AN INDUSTRIAL APPLICATION

**PATENT PENDING**

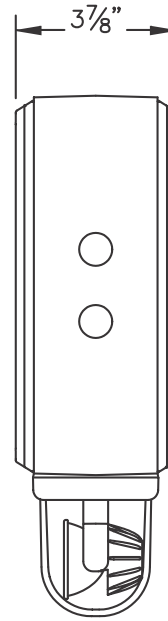
# Severe XV Series

NEMA 4X Combo Unit

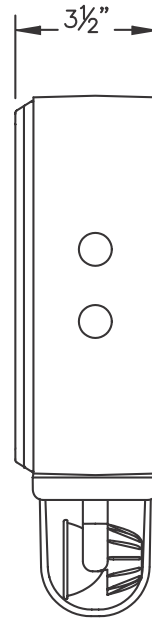
## Outline and Dimensions



\* Dimension of unit without heads.



DOUBLE FACE



SINGLE FACE

## Unit Rating Chart

Sealed Maintenance-Free Battery Type	Input Power	Output Voltage	Total Outputpower for Emergency Heads
Nickel Cadmium	120/277V, 60HZ, .12/.06A, 13/13W	6 V DC	12 W
	120/277V, 60HZ, .17/.08A, 19/19W	12 V DC	24 W

## Power Consumption

Model	AC Specs	DC Specs
WWXV12E1RD4X2M6	120/277Vac Less than 10W	6V 12W Min. 90 minutes
WWXV24E1RD4X2M12	120/277Vac Less than 10W	12V 24W Min. 90 minutes

## Ordering information

Housing/Face Color	Series	Capacity	Faces	Letter Color	Diagnostics	Housing	# of Heads	Lamp/Wattage	Options
Blank= black/black BW= black/white BA= black/aluminum WW= white/white WB= white/black WA= white/aluminum GA= gray/aluminum GW= gray/white GB= gray/black	XV	12E= 6V - 12W 24E= 12V - 24W	1= single face 2= double face	R= red letters G= green letters	D= improved diagnostics non-audible(standard) DA= improved diagnostics - audible	4X= NEMA 4X	0= 0 heads * 2= two heads	M6= MR16, 6V - 6W M12= MR16, 12V - 12W L5= LED, 12V - 5W	*CW4= cold weather *Available in 12E1 version only FAF= flasher (fire alarm activated) **FB= flasher/buzzer (a.c. power failure) **not available with "DA" option FL= flasher (a.c. power failure)

EXAMPLE: WWXV12E1RD4X2M6CW4

PATENT PENDING



Thomas & Betts